



TELEDYNE DGO
Everywhere you look™



Making
Connections
in Harsh
Environments





A History of Creating Innovation Technologies for Harsh Environments

Since its founding in 1962, DGO has focused on applying innovative thinking to the creation of infallible connection systems.

We have engineered, manufactured, and tested thousands of products for a wide range of customers who demand the highest standards in performance and reliability.

Today, Teledyne DGO continues to pave the way as an industry leader, applying new ideas and space-age materials to create evermore reliable systems.

All of our products are engineered, machined, fabricated, and tested in our fully-integrated ISO-9001 certified production facility.

If you do not see what your program or application requires, please call us immediately.

The odds are good that we can meet your needs and specifications. From design to manufacturing and testing, Teledyne DGO provides solutions that stand the test of time.

This catalog will help you identify and select standard connection products from Teledyne DGO.

When you find the product you're looking for, please contact us via our website or call directly at +1 (603) 474-5571.

We will respond to your inquiry quickly with a quote and product availability.

If you are interested in a specific product and would like additional information and/or installation specifications, please contact the factory.

Please note: This collection is the "tip of the iceberg" in our comprehensive collection of products and engineering services. In addition to standard product lines, our custom engineering division designs innovative solutions for new and unique applications.

TO ORDER:

TELEDYNE DGO

162 Corporate Drive, Suite 100
Portsmouth, NH 03801

Phone: +1 (603) 474-5571

Fax: +1 (603) 474-3161

Email: dgo@teledyne.com

Website: www.dgo.com

107 SERIES CONNECTORS | MIL-C-24217

A rugged, metal shell connector series for submerged applications where reliability is crucial. Designs are based on Mil-C-24217. These plugs are designed to be molded to cables.

- 3-48 Contacts: #16 (1.5mm), #12 (4.0mm), #8 (4.0mm) and #0 (50mm)
- Glass-to-metal sealed pressure barrier in receptacles
- Dual O-ring seals between plug and receptacle
- Operating pressure: 0 to 6,500 psi (450 bar)
- Standard body material: 316/316L stainless steel (others available)



PAGES 4-19

110 SERIES CONNECTORS | COAX

Our simplest connector series, designed to accommodate 50 Ohm cables. The receptacle contains an integral glass-to-metal seals for water blocking the plug/receptacle interface in molded or PBOF cable terminations.

- 1-50 Ohm coax configuration (single pin version also available)
- Glass-to-metal sealed pressure barrier in the receptacle
- Dual O-ring seals between plug and receptacle
- Operating pressure: 0 to 10,000 psi (690 bar)
- Standard body material: 316/316L stainless steel (others available)



PAGES 20-27

128 SERIES CONNECTORS | HIGH DENSITY

A high density, instrumentation connector series for submerged applications where size and cost are major drivers in selection. The plugs are usually molded to cables.

- 6-55 contacts: #20 AWG (1.0 mm)
- Glass-to-metal sealed pressure barrier in the receptacle
- Single O-ring seal between plug and receptacle
- Operating pressure: 0 to 2,000 psi (138 bar)
- Standard body material: 316/316L stainless steel (others available)



PAGES 28-35



FEATURES

- Mil-C-24217 design
- Instrumentation & Power: Coax, #16, #12, #8, #4, #0 AWG
- 3-48 contacts
- Glass-to-metal seal pressure barrier in receptacle for maximum protection of equipment (10,000 psi open face pressure capability)
- Dual O-ring seals
- Dual keys (120 degree standard, other MS options available)
- Simple rugged construction; excellent for instruments or equipment used in water or other harsh environments

MATERIALS (STANDARD)

Body:	316/316L Stainless Steel
Coupling Rings:	Al-Ni-Br
Insulators, Plugs:	Diallyl or Delrin
Insulators, Receptacles:	Glass
O-rings:	Buna-N
Note:	Alternate material options are available, e.g., Titanium, Monel and Inconel; consult factory for details

PERFORMANCE

Pressure:	14 pin and above operate to 6,500 psi mated; receptacles up to 10,000 psi open face		
Insulation Resistance:	5 Gohms at 500 VDC		
DWV:	1900 VRMS @ 60 Hz		
Rated Voltage:	625 VRMS		
Contact Ratings:	Size (AWG)	Test	Operation
	#16	13 amps	4-8 amps*
	#12	23 amps	8-15 amps*
	#8	46 amps	40 amps
	#4	80 amps	70 amps
	#0	150 amps	100 amps
Temp Range, Operating:	-40°F to 165°F		
Temp Range, Storage:	-65°F to 175°F		
Physical Shock:	Mil-Std-202 Method 207		
Vibration:	10-2,000 Hz at 10G		

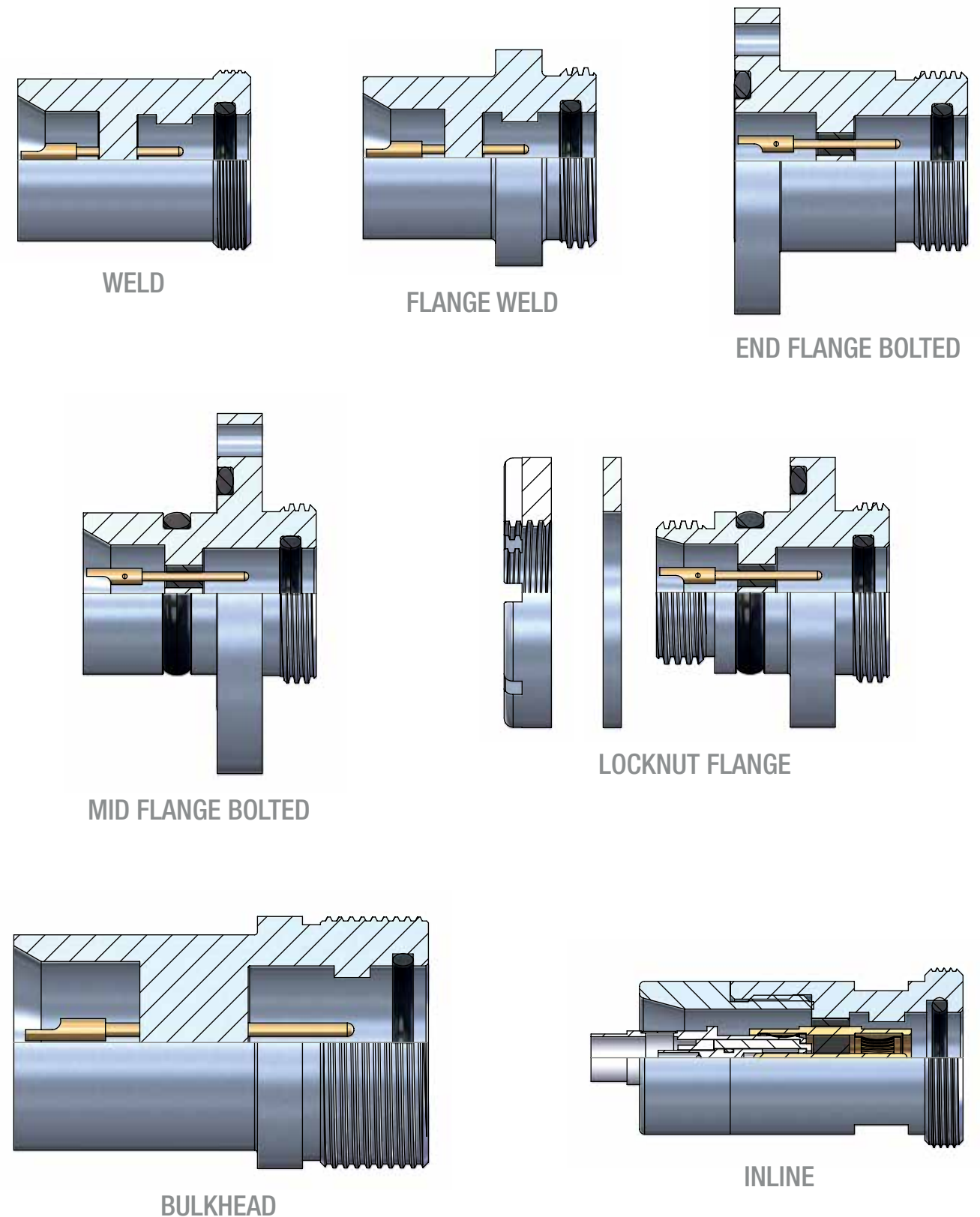
*Depends on number of contacts



RECEPTACLE



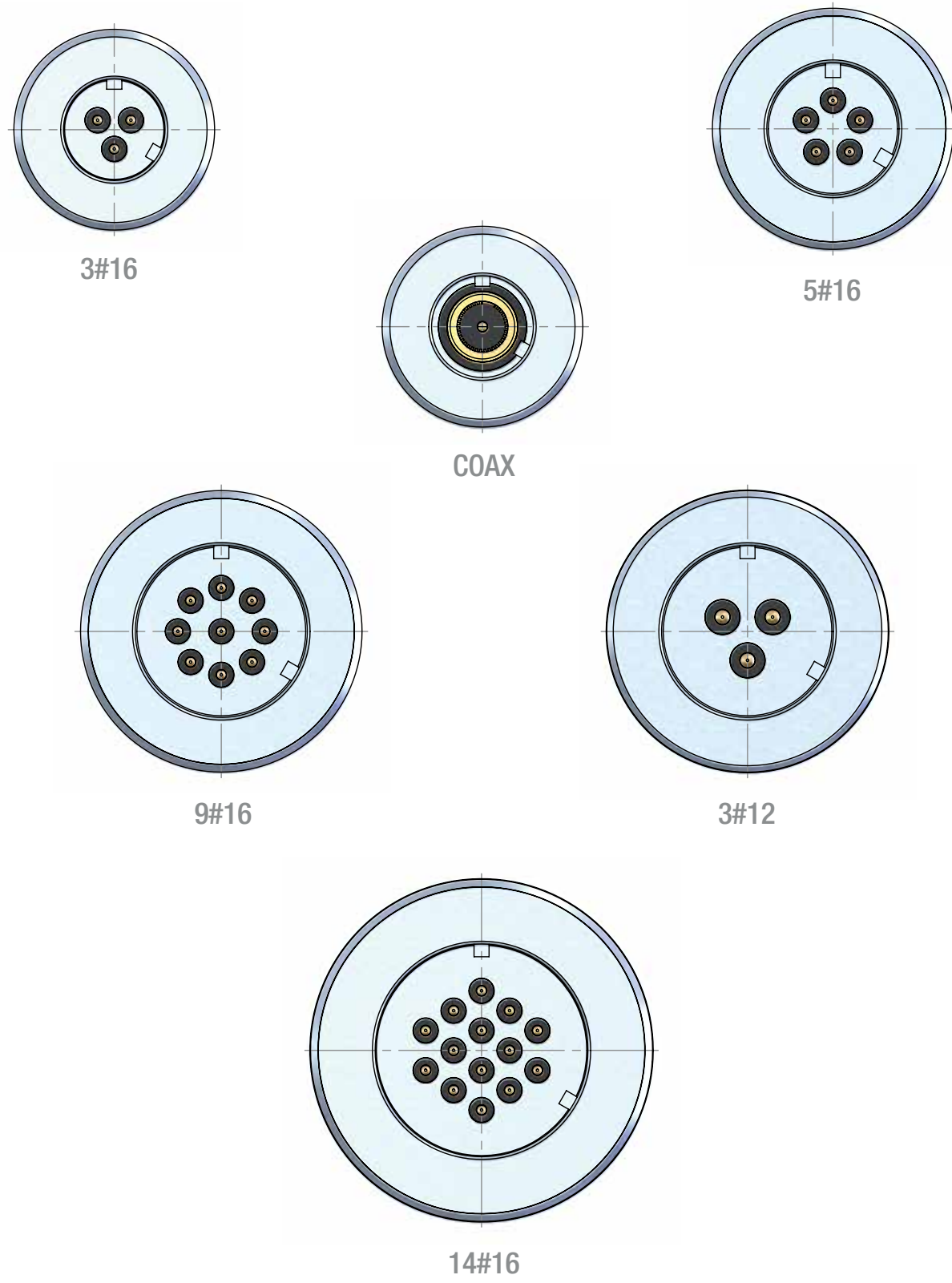
PLUG KIT





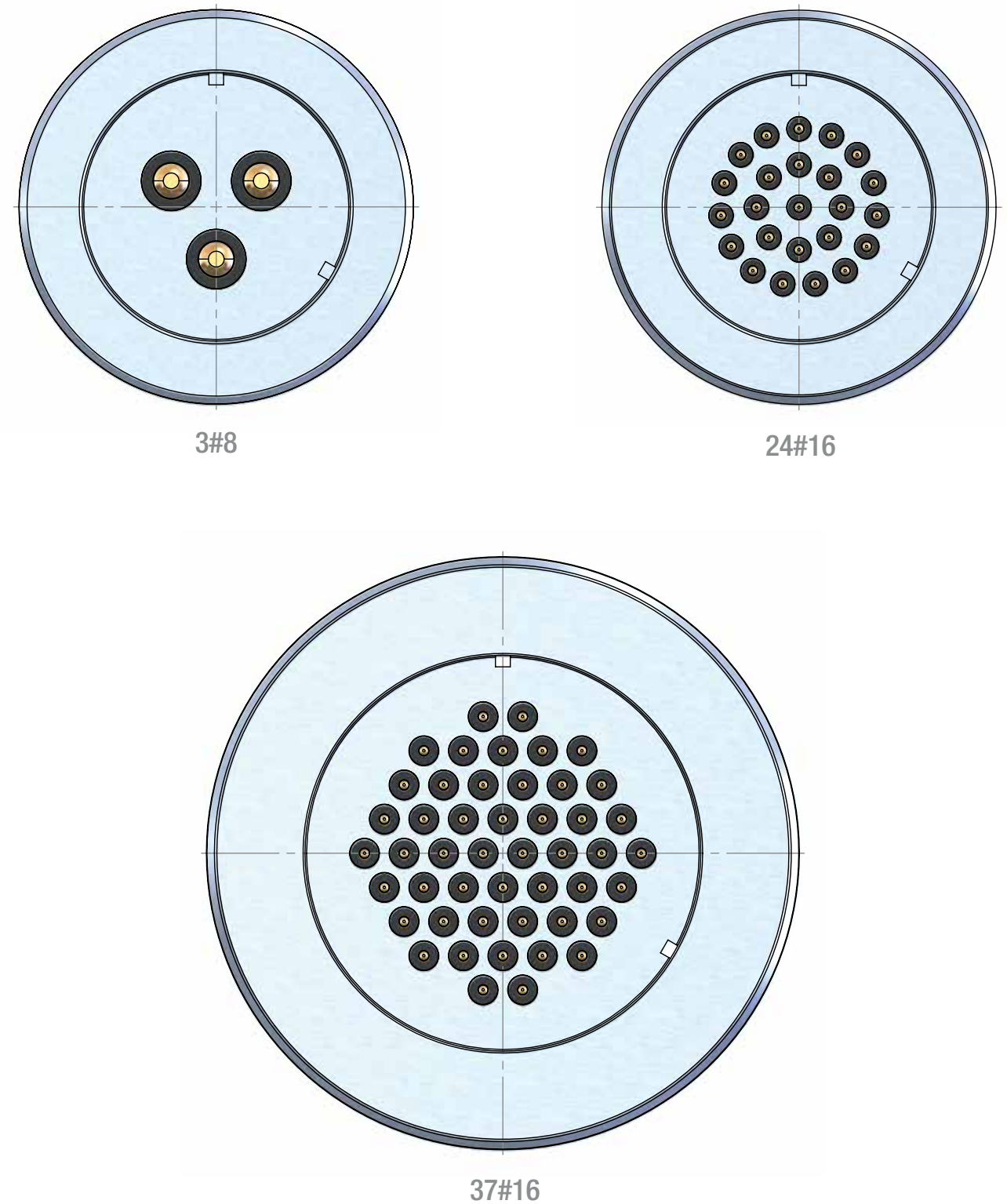
107 SERIES | PIN PATTERNS

FRONT FACE OF RECEPTACLES



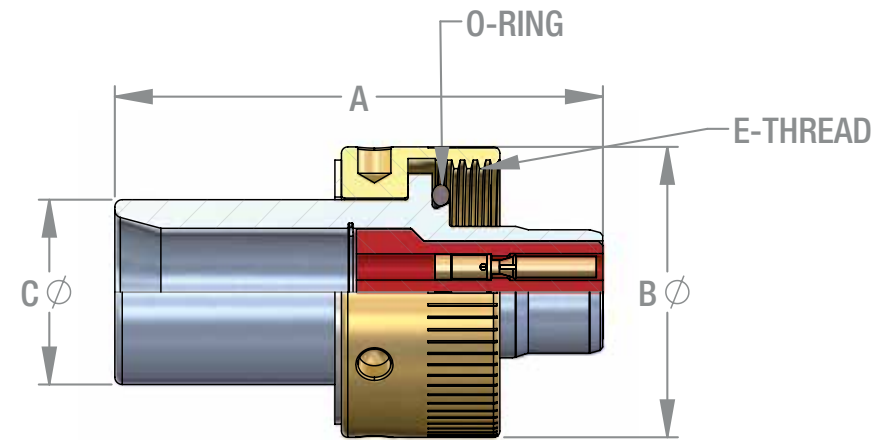
107 SERIES | PIN PATTERNS

FRONT FACE OF RECEPTACLES





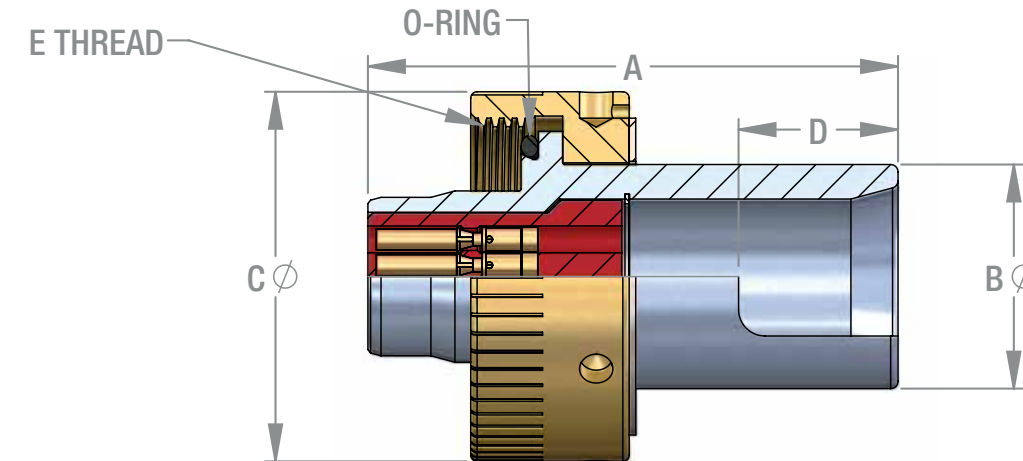
PLUG KITS | STRAIGHT PLUGS



No. of Contacts	120° Key Part No.	DGO Part No.	Wire Accom.	A NOM	B NOM	C NOM	E Thread
3#16	M24217/7-001	1071001-113	16-20	2.310	1.375	0.874	1 1/4-12UN
3#16	M24217/7-002	1071001-118	20-24	2.310	1.375	0.874	1 1/4-12UN
5#16	M24217/7-003	1071002-114	16-20	2.510	1.750	1.061	1 1/2-12UN
5#16	M24217/7-004	1071002-119	20-24	2.510	1.750	1.061	1 1/2-12UN
9#16	M24217/7-005	1071003-119	16-20	2.635	2.000	1.186	1 3/4-12UN
9#16	M24217/7-006	1071003-124	20-24	2.635	2.000	1.186	1 3/4-12UN
14#16	M24217/7-007	1071004-114	16-20	3.010	2.375	1.501	2 1/8-12UN
14#16	M24217/7-008	1071004-119	20-24	3.010	2.375	1.501	2 1/8-12UN
24#16	M24217/7-009	1071005-118	16-20	3.135	2.750	1.874	2 1/2-12UN
24#16	M24217/7-010	1071005-123	20-24	3.135	2.750	1.874	2 1/2-12UN
37#16	M24217/7-011	1071011-101	16-20	3.385	3.500	2.314	3-12UN
37#16	M24217/7-012	1071011-106	20-24	3.635	3.500	2.314	3-12UN
48#16	M24217/7-013	1071007-107	16-20	3.635	4.125	2.749	3 3/4-12UN
48#16	M24217/7-014	1071007-112	20-24	3.087	4.125	2.749	3 3/4-12UN
3#12	M24217/7-015	1071012-111	12	3.598	2.000	1.186	1 3/4-12UN
5#12	M24217/7-016	1071013-101	12	3.598	2.375	1.501	2 1/8-12UN
9#12	M24217/7-017	1071014-101	12	3.598	2.750	1.874	2 1/2-12UN
3#8	M24217/7-018	1071008-111	8	3.460	2.375	1.501	2 1/8-12UN
3#4	M24217/7-019	1071009-111	4	3.598	2.750	1.874	2 1/2-12UN
3#12 & 3#8	M24217/7-020	1071010-111	12 & 8	3.598	2.750	1.874	2 1/2-12UN
2#0 & 4#12	M24217/7-021	1071042-101	0 & 12	3.848	3.375	2.314	3-12UN
50 Ohm	1071016-101	1071016-101	Coax	2.310	1.375	0.874	1 1/4-12UN

(Dimensions in inches)

PLUG KITS | RIGHT ANGLE PLUGS

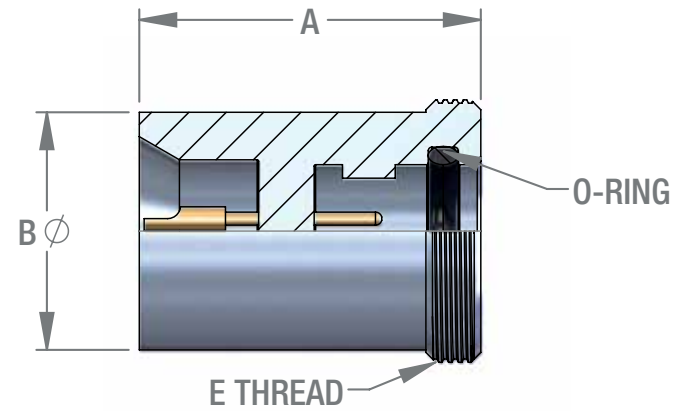


No. of Contacts	120° Key Part No.	DGO Part No.	Wire Accom.	A NOM	B NOM	C NOM	D NOM	E Thread
3#16	M24217/8-001	1071017-114	16-20	2.310	1.375	0.874	n/a	1 1/4-12UN
3#16	M24217/8-002	1071017-119	20-24	2.310	1.375	0.874	n/a	1 1/4-12UN
5#16	M24217/8-003	1071018-113	16-20	2.510	1.750	1.061	n/a	1 1/2-12UN
5#16	M24217/8-004	1071018-118	20-24	2.510	1.750	1.061	n/a	1 1/2-12UN
9#16	M24217/8-005	1071019-121	16-20	2.635	2.000	1.186	n/a	1 3/4-12UN
9#16	M24217/8-006	1071019-126	20-24	2.635	2.000	1.186	n/a	1 3/4-12UN
14#16	M24217/8-007	1071020-117	16-20	3.010	2.375	1.501	.665	2 1/8-12UN
14#16	M24217/8-008	1071020-122	20-24	3.010	2.375	1.501	.665	2 1/8-12UN
24#16	M24217/8-009	1071021-119	16-20	3.135	2.750	1.874	.790	2 1/2-12UN
24#16	M24217/8-010	1071021-124	20-24	3.135	2.750	1.874	.790	2 1/2-12UN
37#16	M24217/8-011	1071040-101	16-20	3.385	3.500	2.314	.915	3-12UN
37#16	M24217/8-012	1071040-1XX	20-24	3.385	3.500	2.314	.915	3-12UN
48#16	M24217/8-013	1071041-101	16-20	3.635	4.125	2.749	.730	3 3/4-12UN
48#16	M24217/8-014	1071041-106	20-24	3.635	4.125	2.749	.730	3 3/4-12UN
3#12	M24217/8-015	1071044-1XX	12	3.087	2.000	1.186	n/a	1 3/4-12UN
5#12	M24217/8-016	1071029-101	12	3.598	2.375	1.501	.790	2 1/8-12UN
9#12	M24217/8-017	1071030-101	12	3.598	2.750	1.874	.790	2 1/2-12UN
3#8	M24217/8-018	1071024-111	8	3.460	2.375	1.501	.650	2 1/8-12UN
3#4	M24217/8-019	1071025-1XX	4	3.598	2.750	1.874	.790	2 1/2-12UN
3#12 & 3#8	M24217/8-020	1071026-106	12 & 8	3.598	2.750	1.874	.790	2 1/2-12UN
2#0 & 4#12	M24217/8-025	1071027-111	0 & 12	5.010	3.375	2.314	2.125	3-12UN
50 Ohm	1071032-101	1071032-101	Coax	2.310	1.375	0.874	n/a	1 1/4-12UN

(Dimensions in inches)



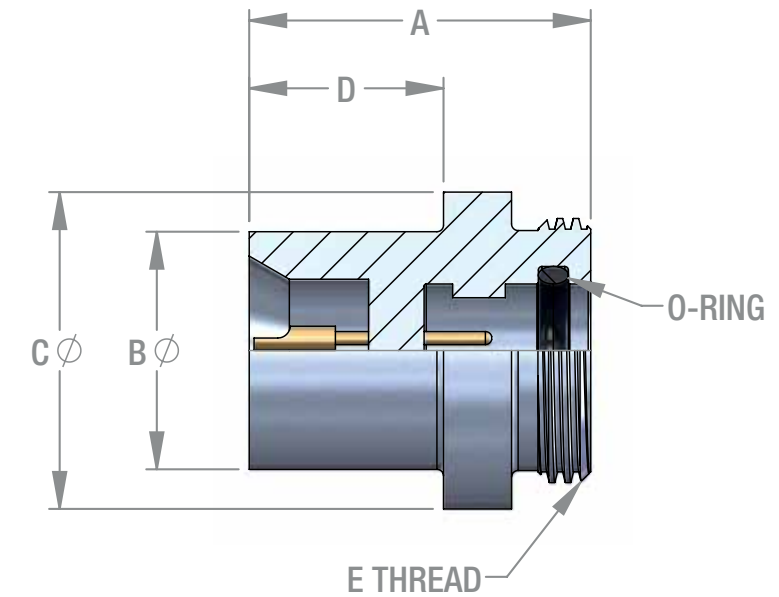
RECEPTACLES | WELD



No. of Contacts	120° Key Part No.	DGO Part No.	A NOM	B NOM	E Thread
3#16	M24217/1-001	1070001-117	1.617	1.125	1 1/4-12UN
5#16	M24217/1-002	1070002-115	1.742	1.370	1 1/2-12UN
9#16	M24217/1-003	1070003-119	1.867	1.585	1 3/4-12UN
14#16	M24217/1-004	1070004-113	1.992	1.962	2 1/8-12UN
24#16	M24217/1-005	1070005-113	2.117	2.338	2 1/2-12UN
37#16	M24217/1-006	1070006-101	2.117	2.870	3-12UN
48#16	M24217/1-007	1070007-1XX	2.410	3.745	3 3/4-12UN
3#12	M24217/1-008	1070012-101	2.880	1.585	1 3/4-12UN
5#12	M24217/1-009	1070013-101	2.880	1.995	2 1/8-12UN
9#12	M24217/1-010	1070014-101	2.880	2.307	2 1/2-12UN
3#8	M24217/1-011	1070008-112	2.880	1.995	2 1/8-12UN
3#4	M24217/1-012	1070009-113	2.880	2.307	2 1/2-12UN
3#12 & 3#8	M24217/1-013	1070010-112	2.880	2.307	2 1/2-12UN
2#0 & 4#12	M24217/1-014	1070011-111	2.880	2.870	3-12UN
50 Ohm	1070016-101	1070016-101	1.617	1.125	1 1/4-12UN

(Dimensions in inches)

RECEPTACLES | FLANGE WELD

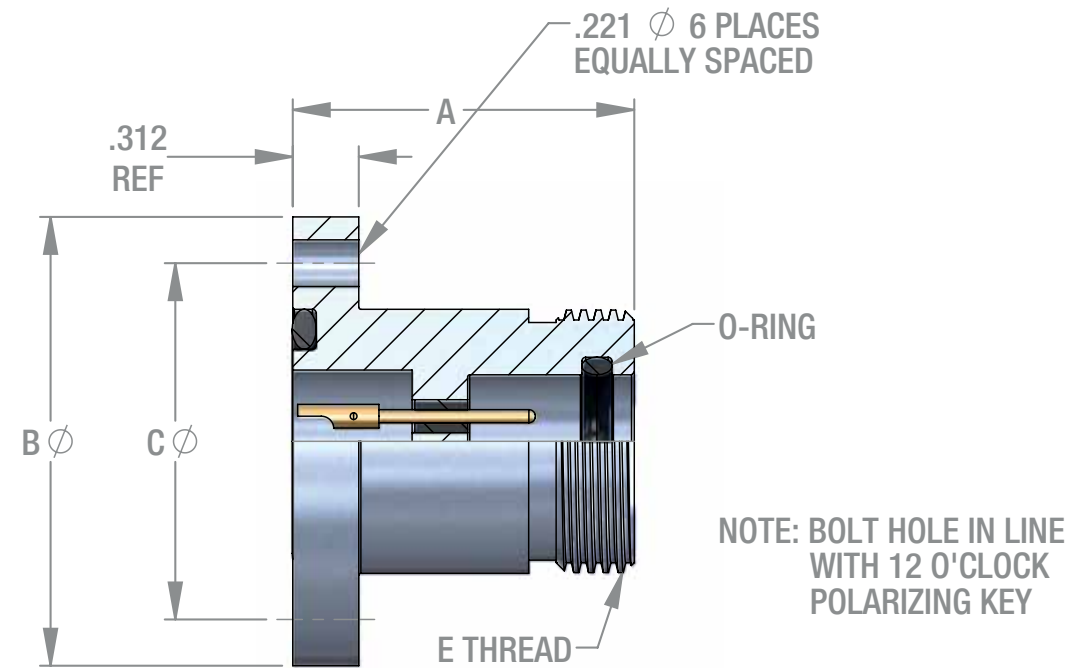


No. of Contacts	120° Key Part No.	DGO Part No.	A NOM	B NOM	C NOM	D NOM	E Thread
3#16	M24217/2-001	1070017-112	1.617	1.125	1.500	.920	1 1/4-12UN
5#16	M24217/2-002	1070018-113	1.742	1.370	1.875	1.045	1 1/2-12UN
9#16	M24217/2-003	1070019-112	1.867	1.585	2.062	1.170	1 3/4-12UN
14#16	M24217/2-004	1070020-114	1.992	1.962	2.500	1.295	2 1/8-12UN
24#16	M24217/2-005	1070021-112	2.117	2.338	2.875	1.420	2 1/2-12UN
37#16	M24217/2-006	1070022-101	2.117	2.870	3.375	1.420	3-12UN
48#16	M24217/2-007	1070023-106	2.410	3.745	4.248	1.550	3 3/4-12UN
3#12	M24217/2-008	1070026-1XX	2.880	1.585	2.062	1.510	1 3/4-12UN
5#12	M24217/2-009	1070027-101	2.880	1.995	2.375	1.690	2 1/8-12UN
9#12	M24217/2-010	1070028-101	2.880	2.307	2.750	1.690	2 1/2-12UN
3#8	M24217/2-011	1070024-112	2.880	1.995	2.375	1.690	2 1/8-12UN
3#4	M24217/2-012	1070025-111	2.880	2.307	2.750	1.690	2 1/2-12UN
3#12 & 3#8	M24217/2-013	1070029-101	2.880	2.307	2.750	1.690	2 1/2-12UN
2#0 & 4#12	M24217/2-014	1070030-101	2.880	2.870	3.375	1.630	3-12UN
50 Ohm	1070032-101	1070032-101	1.617	1.125	1.500	.920	1 1/4-12UN

(Dimensions in inches)



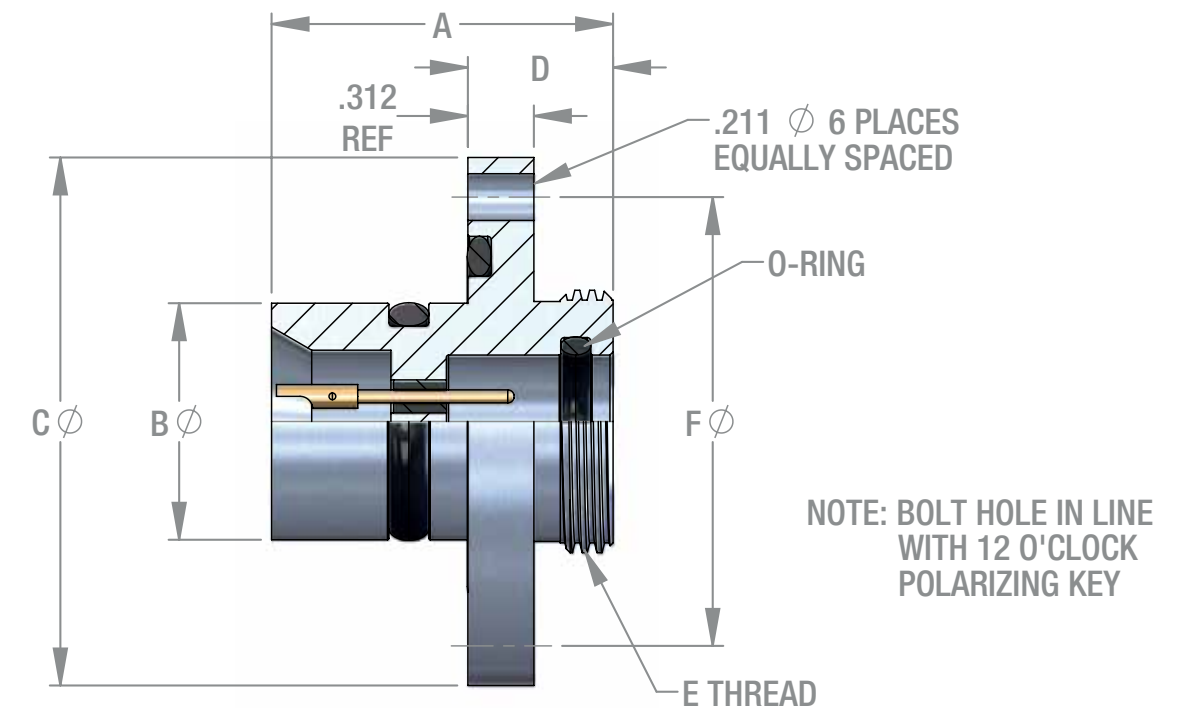
RECEPTACLES | END FLANGE BOLTED



No. of Contacts	120° Key Part No.	DGO Part No.	A NOM	B NOM	C NOM	E Thread
3#16	M24217/5-001	1070033-112	1.617	2.125	1.688	1 1/4-12UN
5#16	M24217/5-002	1070034-111	1.742	2.375	1.938	1 1/2-12UN
9#16	M24217/5-003	1070035-121	1.867	2.625	2.188	1 3/4-12UN
14#16	M24217/5-004	1070036-102	1.992	3.000	2.563	2 1/8-12UN
24#16	M24217/5-005	1070037-117	2.117	3.375	2.938	2 1/2-12UN
37#16	M24217/5-006	1070040-101	2.117	3.875	3.438	3-12UN
48#16	M24217/5-007	1070039-102	2.410	4.625	4.188	3 3/4-12UN
3#12	M24217/5-008	1070042-101	2.880	2.625	2.188	1 3/4-12UN
5#12	M24217/5-009	1070043-1XX	2.880	3.000	2.563	2 1/8-12UN
9#12	M24217/5-010	1070044-101	2.880	3.375	2.938	2 1/2-12UN
3#8	M24217/5-011	1070045-101	2.880	3.000	2.563	2 1/8-12UN
3#4	M24217/5-012	1070041-102	2.880	3.375	2.938	2 1/2-12UN
3#12 & 3#8	M24217/5-013	1070046-101	2.880	3.375	2.938	2 1/2-12UN
2#0 & 4#12	M24217/5-014	1070047-101	2.880	3.875	3.438	3-12UN
50 Ohm	1070038-101	1070038-101	1.617	2.125	1.688	1 1/4-12UN

(Dimensions in inches)

RECEPTACLES | MID FLANGE BOLTED

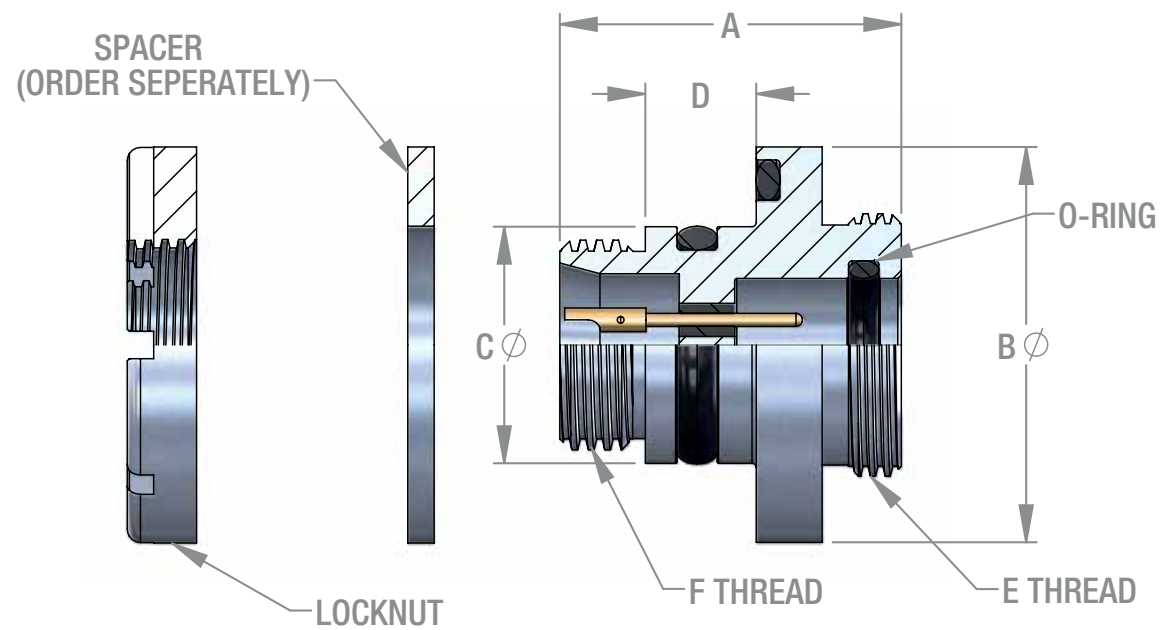


No. of Contacts	120° Key Part No.	DGO Part No.	A NOM	B NOM	C NOM	D NOM	E Thread	F NOM
3#16	M24217/4-001	1070240-101	1.617	1.120	2.500	.687	1 1/4-12UN	2.125
5#16	M24217/4-002	1070241-101	1.742	1.370	2.750	.687	1 1/2-12UN	2.375
9#16	M24217/4-003	1070242-101	1.867	1.495	3.000	.687	1 3/4-12UN	2.625
14#16	M24217/4-004	1070243-101	1.992	1.870	3.375	.687	2 1/8-12UN	3.000
24#16	M24217/4-005	1070244-101	2.117	2.245	3.750	.687	2 1/2-12UN	3.375
37#16	M24217/4-006	1070245-101	2.117	2.745	4.437	.687	3-12UN	4.062
48#16	M24217/4-007	1070246-101	2.410	3.493	5.000	.869	3 3/4-12UN	4.625
3#12	M24217/4-008	1070247-101	2.880	1.495	3.000	1.187	1 3/4-12UN	2.625
5#12	M24217/4-009	1070248-101	2.880	1.870	3.375	1.187	2 1/8-12UN	3.000
9#12	M24217/4-010	1070249-101	2.880	2.245	3.750	1.187	2 1/2-12UN	3.375
3#8	M24217/4-011	1070250-101	2.880	1.870	3.375	1.187	2 1/8-12UN	3.000
3#4	M24217/4-012	1070251-101	2.880	2.245	3.750	1.187	2 1/2-12UN	3.375
3#12 & 3#8	M24217/4-013	1070252-101	2.880	2.245	3.750	1.187	2 1/2-12UN	3.375
2#0 & 4#12	M24217/4-014	1070253-1XX	2.880	2.745	4.437	1.187	3-12UN	4.062
50 Ohm	1070254-101	1070254-101	1.617	1.120	2.500	.687	1 1/4-12UN	2.125

(Dimensions in inches)



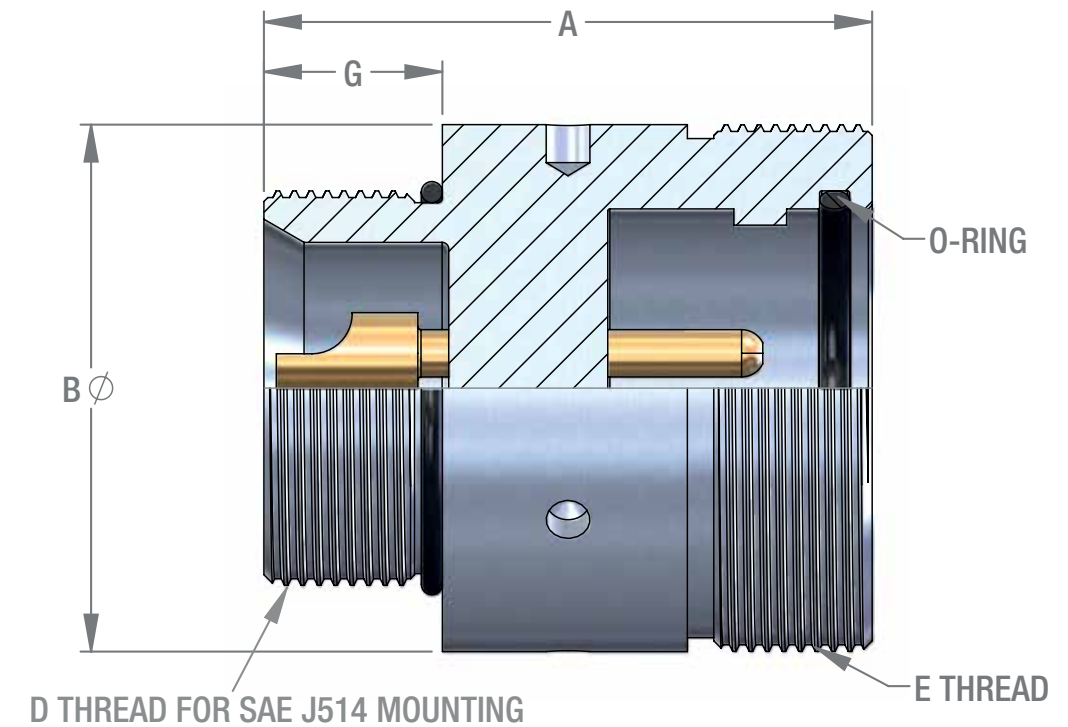
RECEPTACLES | LOCKNUT FLANGE



No. of Contacts	120° Key Part No.	DGO Part No.	A NOM	B NOM	C NOM	D NOM	E Thread
3#16	M24217/6-001	1070100-112	1.617	1.875	1.120	0.53	1 1/4-12UN
5#16	M24217/6-002	1070101-112	1.742	2.125	1.370	0.65	1 1/2-12UN
9#16	M24217/6-003	1070102-112	1.867	2.250	1.495	0.78	1 3/4-12UN
14#16	M24217/6-004	1070103-101	1.992	2.625	1.870	0.90	2 1/8-12UN
24#16	M24217/6-005	1070104-101	2.117	3.125	2.245	1.03	2 1/2-12UN
37#16	M24217/6-006	1070105-101	2.117	3.625	2.745	1.03	3-12UN
48#16	M24217/6-007	1070106-101	2.410	4.375	3.493	1.14	3 3/4-12UN
3#12	M24217/6-008	1070109-1XX	2.880	2.250	1.495	1.12	1 3/4-12UN
5#12	M24217/6-009	1070110-101	2.880	2.625	1.870	1.12	2 1/8-12UN
9#12	M24217/6-010	1070112-1XX	2.880	3.125	2.245	1.12	2 1/2-12UN
3#8	M24217/6-011	1070107-111	2.880	2.625	1.870	1.12	2 1/8-12UN
3#4	M24217/6-012	1070108-102	2.880	3.125	2.245	1.12	2 1/2-12UN
3#12 & 3#8	M24217/6-013	1070113-101	2.880	3.125	2.245	1.12	2 1/2-12UN
2#0 & 4#12	M24217/6-014	1070114-101	2.880	3.625	2.745	1.12	3-12UN
50 Ohm	1070111-101	1070111-101	1.614	1.875	1.120	0.53	1 1/4-12UN

(Dimensions in inches)

RECEPTACLES | BULKHEAD

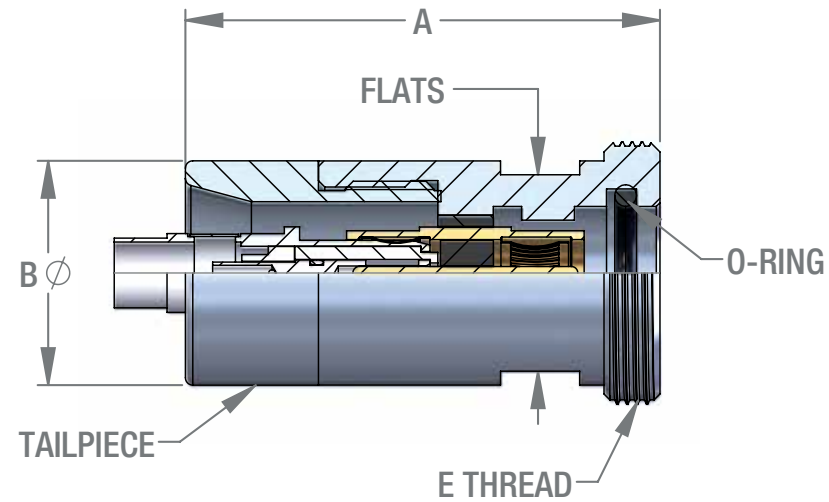


No. of Contacts	DGO Part No.	A NOM	B NOM	G NOM	E Thread
3#16	1070119-101	1.617	1.245	0.617	1 1/4-12UN
5#16	1070120-101	1.742	1.500	0.742	1 1/2-12UN
9#16	1070121-101	1.867	1.750	0.867	1 3/4-12UN
14#16	1070122-101	1.992	2.125	0.842	2 1/8-12UN
24#16	1070123-101	2.117	2.495	0.842	2 1/2-12UN
37#16	1070124-101	2.117	3.000	0.842	3-12UN
48#16	1070125-101	2.410	3.750	0.842	3 3/4-12UN
3#12	1070131-101	2.880	1.750	0.862	1 3/4-12UN
5#12	1070132-1XX	2.880	2.125	0.842	2 1/8-12UN
9#12	1070133-101	2.880	2.495	0.845	2 1/2-12UN
3#8	1070126-1XX	2.880	2.125	0.842	2 1/8-12UN
3#4	1070128-101	2.880	2.495	0.845	2 1/2-12UN
3#12 & 3#8	1070129-1XX	2.880	2.495	0.845	2 1/2-12UN
2#0 & 4#12	1070130-1XX	2.880	3.000	0.857	3-12UN
50 Ohm	1070134-101	1.617	1.245	0.617	1 1/4-12UN

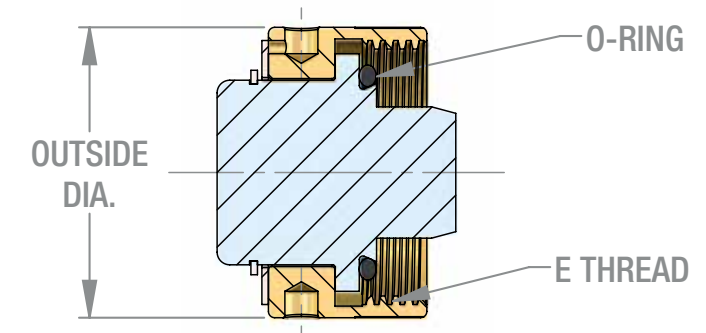
(Dimensions in inches)



RECEPTACLES | INLINE



PRESSURE PROOF CAPS | STANDARD | FOR RECEPTACLES



No. of Contacts	120° Key Part No.	DGO Part No.	A NOM	B NOM	E Thread
3#16	M24217/3-001	1070139-111	2.247	1.061	1 1/4-12UN
5#16	M24217/3-002	1070140-101	2.612	1.186	1 1/2-12UN
9#16	M24217/3-003	1070141-111	2.862	1.501	1 3/4-12UN
14#16	M24217/3-004	1070142-101	3.049	1.874	2 1/8-12UN
24#16	M24217/3-005	1070143-103	3.422	2.314	2 1/2-12UN
37#16	M24217/3-006	1070144-102	4.354	2.811	3-12UN
48#16	M24217/3-007	1070145-101	4.330	3.624	3 3/4-12UN
3#12	M24217/3-008	1070146-1XX	3.565	1.501	1 3/4-12UN
5#12	M24217/3-009	1070147-101	3.565	1.874	2 1/8-12UN
9#12	M24217/3-010	1070150-1XX	3.875	2.249	2 1/2-12UN
3#8	M24217/3-011	1070151-101	3.565	1.874	2 1/8-12UN
3#4	M24217/3-012	1070152-101	3.875	2.249	2 1/2-12UN
3#12 & 3#8	M24217/3-013	1070148-111	3.875	2.249	2 1/2-12UN
2#0 & 4#12	M24217/3-014	1070153-101	4.105	2.749	3-12UN
50 Ohm	1070149-101	1070149-101	2.247	1.061	1 1/4-12UN

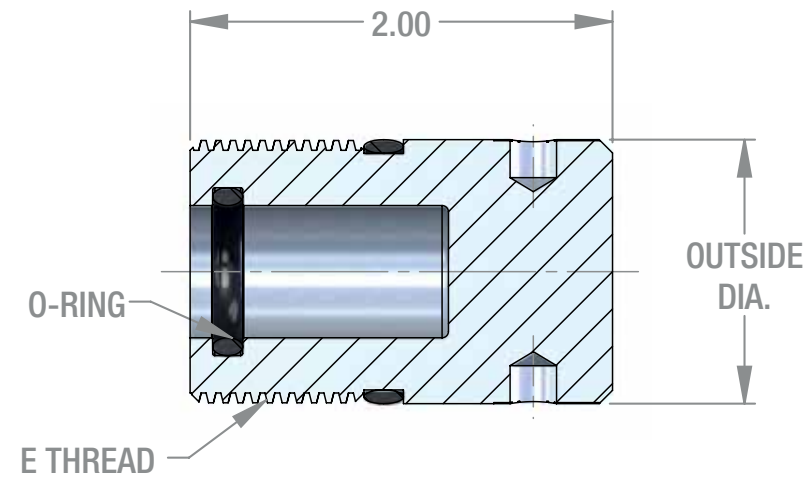
(Dimensions in inches)

For Connector	Mil Spec Part No.	DGO Part No.	Outside Diameter	E Thread	O-ring Part No.
3#16	M24217/10-001	1074033-101	1.37	1 1/4-12UN-2B	MS28775-117
5#16	M24217/10-002	1074034-103	1.75	1 1/2-12UN-2B	MS28775-122
9#16	M24217/10-003	1074035-104	2.00	1 3/4-12UN-2B	MS28775-126
14#16	M24217/10-004	1074036-104	2.37	2 1/8-12UN-2B	MS28775-132
24#16	M24217/10-005	1074037-104	2.75	2 1/2-12UN-2B	MS28775-138
37#16	M24217/10-006	1074038-103	3.50	3-12UN-2B	MS28775-145
48#16	M24217/10-007	1074039-103	4.12	3 3/4-12UN-2B	MS28775-151
3#12	M24217/10-008	1074041-101	2.00	1 3/4-12UN-2B	MS28775-126
5#12, 3#8	M24217/10-009	1074043-103	2.37	2 1/8-12UN-2B	MS28775-132
9#12, 3#4, 3#12 & 3#8	M24217/10-010	1074042-101	2.75	2 1/2-12UN-2B	MS28775-138
2#0 & 4#12	M24217/10-011	1074040-103	3.37	3-12UN-2B	MS28775-145
8#16	M24217/10-012	1044001-102	1.50	1 3/8-12UN-2B	MS28775-119
3#0	M24217/10-013	1074046-103	3.63	3 1/4-12UN-2B	MS28775-147

(Dimensions in inches)



PRESSURE PROOF CAPS | STANDARD | FOR PLUGS



IMPORTANT ORDERING NOTES

1. DGO can terminate plug kits and receptacle kits to cable(s) of your choice at competitive prices. Please send us your requirements in order to provide an accurate price and lead time.
2. 120° keying is standard. Alternate keys are available in accordance with Mil-C-24217 (i.e., 90°, 135°, 150° and 165°).
3. DGO produces all Mil-C-24217 configurations; only the commonly used configurations are shown in this catalog. Please consult us if you do not see the configuration you require.
4. There are numerous internal configurations of plug kits in this product line; not all can be shown in this catalog. For the configuration of a specific plug kit, please request more information.
5. On right angle plugs, the standard orientation of rear cut out section relative to 12 o'clock key on right angle plug body is 90° clockwise (when looking into face of plug), with the exception of 37#16 which is 180°.
6. Many of the connectors shown are available in alternative materials (e.g., Titanium, Monel, Inconel, etc.).

For Connector	Mil Spec Part No.	DGO Part No.	Outside Diameter	E Thread	O-ring
3#16, 5#16 Special	M24217/9-001	1073033-103	1.25	1 1/4-12UN-2A	MS28775-114
5#16	M24217/9-002	1073034-103	1.50	1 1/2-12UN-2A	MS28775-117
9#16, 3#12	M24217/9-003	1073035-103	1.75	1 3/4-12UN-2A	MS28775-121
14#16, 5#12, 3#8	M24217/9-004	1073036-103	2.12	2 1/8-12UN-2A	MS28775-125
24#16, 3#4, 9#12, 3#8 & 3#12	M24217/9-005	1073037-104	2.50	2 1/2-12UN-2A	MS28775-131
37#16, 2#0 & 4#12	M24217/9-006	1073038-103	3.00	3-12UN-2A	MS28775-137
48#16	M24217/9-007	1073039-103	3.75	3 3/4-12UN-2A	MS28775-144
8#16	M24217/9-008	1073042-101	1.37	1 3/8-12UN-2A	MS28775-117
3#0	M24217/9-009	1073043-103	3.25	3 1/4-12UN-2A	MS28775-141

(Dimensions in inches)

TO ORDER:

TELEDYNE DGO

162 Corporate Drive, Suite 100
Portsmouth, NH 03801

Phone: +1 (603) 474-5571

Fax: +1 (603) 474-3161

Email: dgo@teledyne.com

Website: www.dgo.com

FEATURES

- 50 Ohm Coax
- Glass-to-metal seal pressure barrier in the receptacle for maximum protection of equipment
- Dual O-ring seals – primary face seal with secondary piston seal
- Simple, durable construction; excellent for cameras or instruments used in or around water or other harsh environments

MATERIALS (STANDARD)

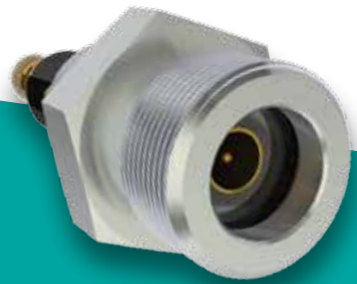
Body:	316/316L Stainless Steel
Coupling Rings:	316
Insulators, Plugs:	Nylon
Insulators, Receptacles:	Glass
O-rings:	Buna-N
Note:	Alternate material options are available, e.g., Titanium, Monel and Inconel; consult factory for details

PERFORMANCE

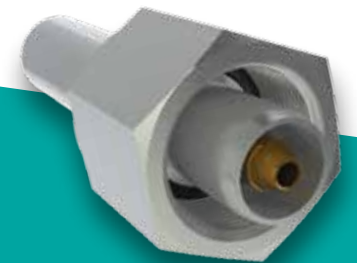
Impedance:	50 Ohms
Frequency Range:	0-1.5 GHz
Insulation Resistance:	5 Gohms at 500 VDC
Max Operating Voltage:	1000 VRMS
Max Operating Current:	3 amps
Temp Range, Operating:	-40°F to 165°F
Temp Range, Storage:	-65°F to 175°F
Max Operational Pressure:	2,000 psi for molded cable assemblies (~4500 ft/1372 m) 10,000 psi open face receptacle

RECOMMENDED CABLES

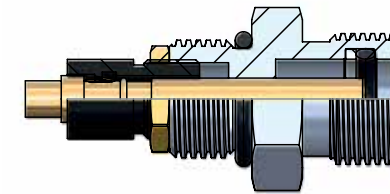
For General Use:	Mil-2-17/28 RG-58 (including shallow water, non-critical applications)
For Deep Submergence /Critical Applications:	TRC CN-4 (50 Ohm)
Note:	Alternate cables can be accommodated; consult factory for details



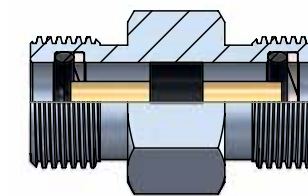
RECEPTACLE



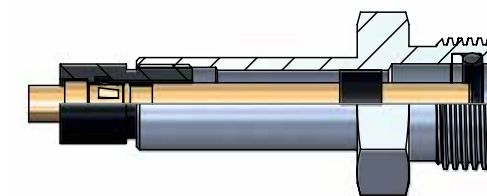
PLUG ASSEMBLY



BULKHEAD



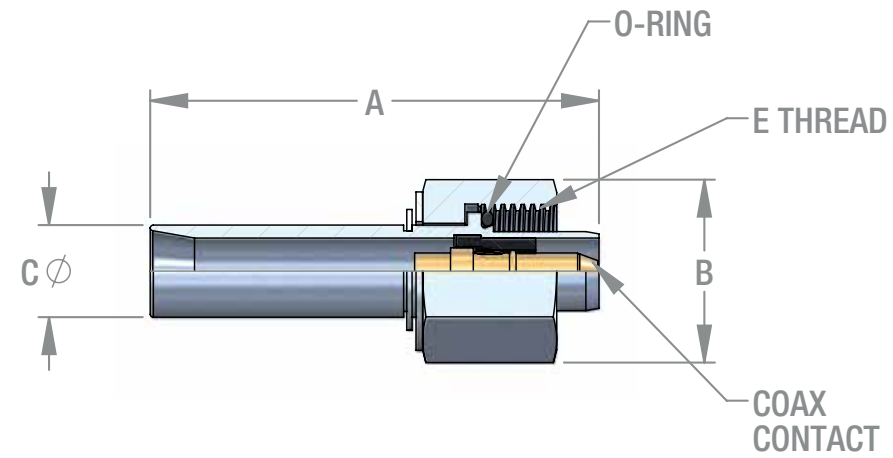
SPLICE



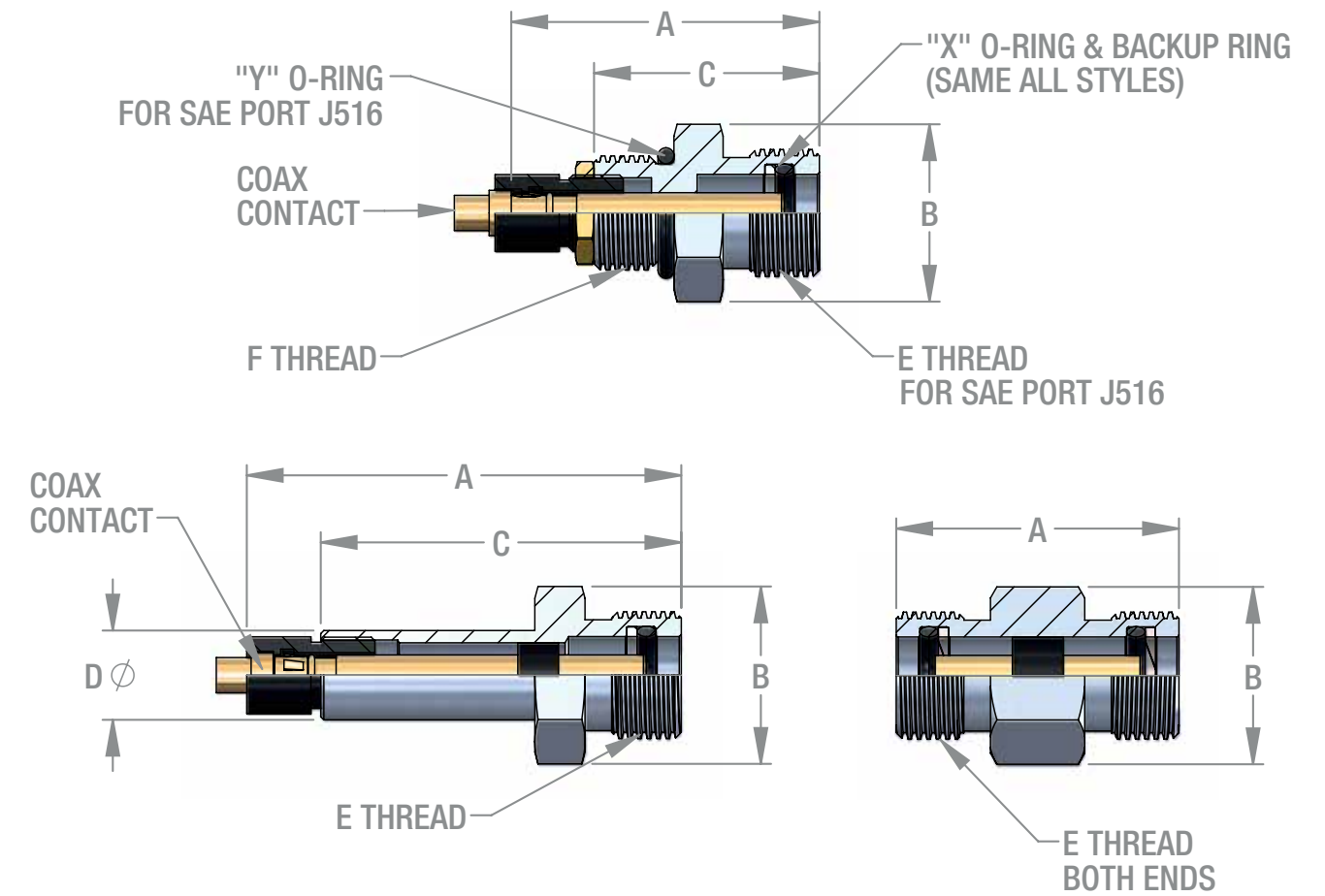
INLINE



PLUG KITS | STRAIGHT PLUGS



RECEPTACLE KITS | STANDARD



Plug Kit Number	1101001-101
A	2.13
B (across hex nut flats)	0.75
C	.436 Diameter
E	5/8-18UNF
O-ring	MS28775-013
Coax Contact	1131016-101
Cable Accommodated	RG-58, CN-4

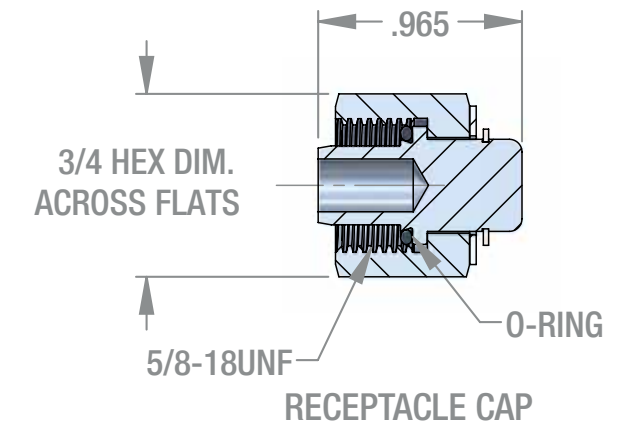
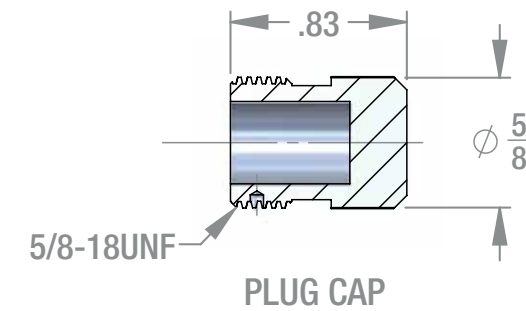
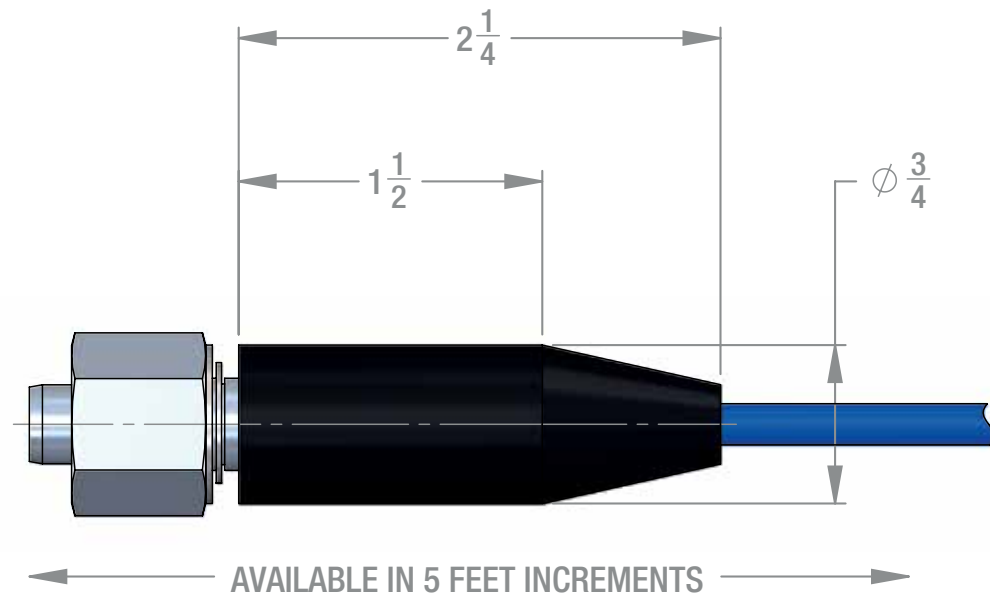
(Dimensions in inches)

	Bulkhead	Splice	Inline
Receptacle Part No.	1100001-101	1100002-101	1100004-101
A	1.5	2.07	1.38
B (across hex nut flats)	0.75	0.75	0.75
C	1.1	1.76	n/a
D	n/a	.436 Diameter	n/a
E	5/8-18UNF	5/8-18UNF	5/8-18UNF
F	9/16-18UNF	n/a	n/a
O-ring "X"	MS28775-012	MS28775-012	MS28775-012
Back-up Ring	1102109-501	1102109-501	1102109-501
O-ring "Y"	M83461/2-906	n/a	n/a
Coax Contact	1131016-101	1131016-101	n/a
Cable Accommodated	RG-58, CN-4	RG-58, CN-4	n/a

(Dimensions in inches)



COAX PLUG CABLE ASSEMBLIES | STANDARD STRAIGHT | SINGLE-ENDED



	RG-58	CN-4
Cable Assembly Part No.	1150446-XXX	1150452-XXX
Plug Part No.	1101001-101	1101001-101
Plug Qty.	1	1
Cable Type	RG-58	CN-4
Cable Length	AVAILABLE IN 5 FEET INCREMENTS	
Cable Diameter	0.20	0.26
Over-molding	Polyurethane (Black)	Neoprene

(Dimensions in inches unless otherwise noted)

PRESSURE PROOF CAPS | STANDARD

	Plugs	Receptacles
Pressure Proof Cap Part No.	1103001-101	1104001-101
Material	316 Stainless Steel	316 Stainless Steel
O-ring	n/a	MS28775-013 (Buna-N)

(Dimensions in inches)



CRIMP TOOL CROSS REFERENCE



IMPORTANT ORDERING NOTES

1. DGO can terminate plug kits and receptacle kits to cable(s) of your choice at very competitive prices. Please send us your requirements in order to provide an accurate price and lead time.
2. Different cable lengths are available. Consult factory for specific assembly part numbers, price, and delivery.
3. Standard cable assembly test pressure is 2,000 psi (138 bar). If higher test pressures are required, please advise factory immediately with your specifications.
4. Termination instructions are available on our website.
5. Alternate material options are available for plugs, receptacles, and over-molding.

RG/U Cable No.	DGO Part No.	Amp Tool No.
58, 58A, 58B, 58C	1131016-101	45740-2
174, 179A, 187, 21-598	1131016-102	45638-2
180, 180A, 195, 21-497	1131016-103	45639-1
188, 316	1131016-104	45638-2
122	1131016-105	46639-2
55, 55B, 141, 142, 223	1131016-106	69248-4
59, 59A, 59B62, 62A, 62B, 124, 140, 210	1131016-107	45634-3
178, 178A, 196	1131016-108	69186-2
71, 71A, 71B	—	69613
161	—	69147-2
141A, 142A, 142B	—	69248-4

TO ORDER:

TELEDYNE DGO

162 Corporate Drive, Suite 100
Portsmouth, NH 03801

Phone: +1 (603) 474-5571

Fax: +1 (603) 474-3161

Email: dgo@teledyne.com

Website: www.dgo.com



PLUG

FEATURES

- High Density, low cost design
- Signal & Power: #20, #16 AWG
- 6-55 contacts
- Glass-to-metal seal pressure barrier in the receptacle for maximum protection of equipment
- Dual Keys; scoop-proof; 120° standard
- Single O-ring seal in plug-receptacle interface
- Simple, rugged construction; excellent for cameras or instruments used in or around water and other harsh environments

MATERIALS (STANDARD)

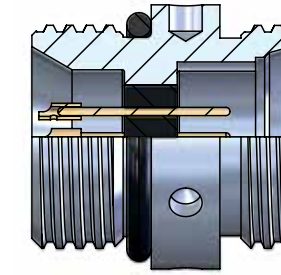
Body:	316/316L Stainless Steel
Coupling Rings:	Al-Ni-Br
Insulators, Plugs:	DAP
Insulators, Receptacles:	Glass
O-rings:	Buna-N
Note:	Alternate material options are available; consult factory for details

PERFORMANCE

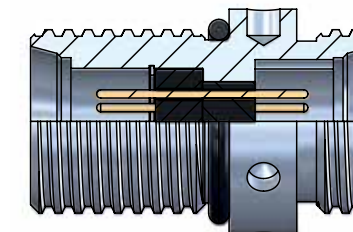
Pressure:	Up to 2,000 psi		
Insulation Resistance:	5 Gohms		
DWV:	625 VRMS @ 60 Hz		
Contact Ratings:	Size (AWG)	Test	Operation
	#16	13 amps	7.5 amps
	#20	5 amps	3 amps
Temp Range, Operating:	-40°F to 165°F		
Temp Range, Storage:	-65°F to 175°F		



RECEPTACLE



BULKHEAD



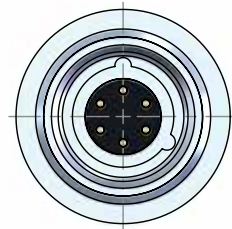
BULKHEAD SPLICE



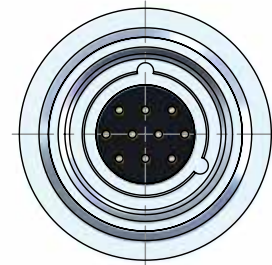
128 SERIES | PIN PATTERNS

FRONT FACE OF RECEPTACLES

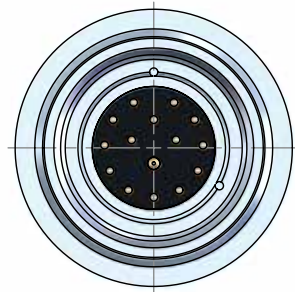
PLUG KITS | STANDARD



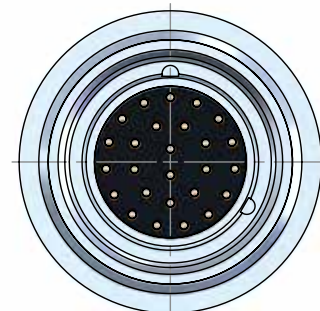
6#20



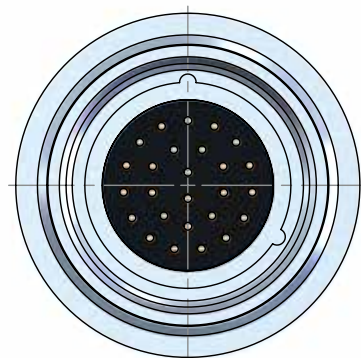
10#20



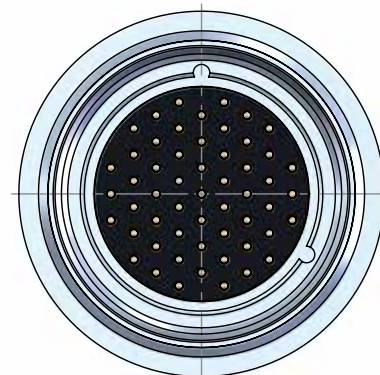
14#20, 1#16



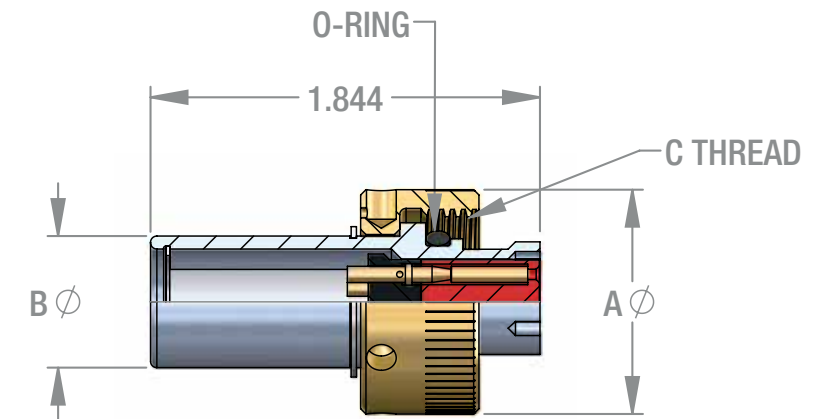
26#20



32#20



55#20

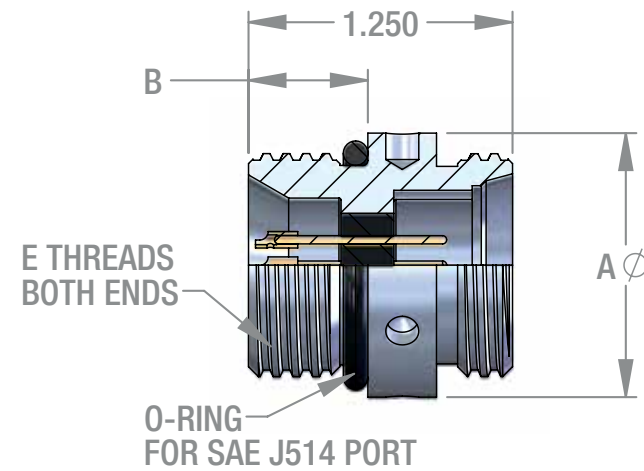


No. of Contacts	120° Part No.	A NOM	B NOM	C Thread	O-ring
6#20	1281241-101	1.062	0.625	7/8-14UN	MS28775-112
10#20	1281242-101	1.250	0.750	1 1/16-12UN	MS28775-115
14#20 & 1#16	1281243-101	1.312	0.875	1 3/16-12UN	MS28775-117
26#20	1281244-101	1.500	1.000	1 5/16-12UN	MS28775-119
32#20	1281245-101	1.750	1.125	1 1/2-12UN	M83461/2-914
55#20	1281247-101	1.875	1.437	1 5/8-12UN	MS28775-124

(Dimensions in inches)



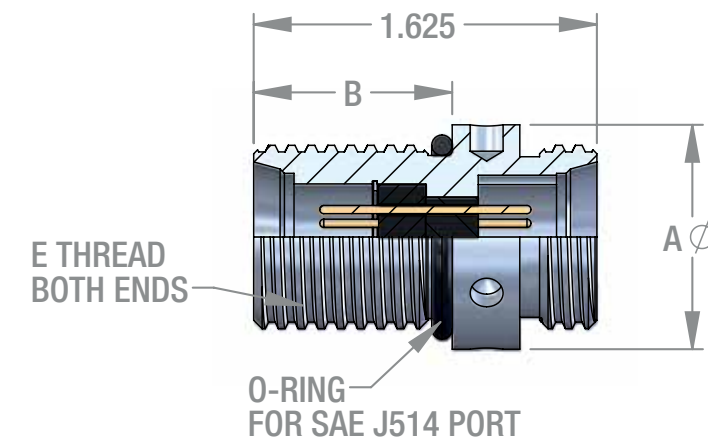
RECEPTACLE KITS | BULKHEAD



No. of Contacts	120° Key Part No.	A NOM	B NOM	E Thread	O-ring
6#20	1280241-101	1.062	0.565	7/8-14UN-2A	M83461/2-910
10#20	1280242-101	1.250	0.565	1 1/16-12UN-2A	M83461/2-912
14#20 & 1#16	1280243-101	1.375	0.565	1 3/16-12UN-2A	M83461/2-914
26#20	1280244-101	1.500	0.565	1 5/16-12UN-2A	M83461/2-916
32#20	1280245-101	1.710	0.515	1 1/2-12UN-2A	M83461/2-918
55#20	1280247-101	1.812	0.515	1 5/8-12UN-2A	M83461/2-920

(Dimensions in inches)

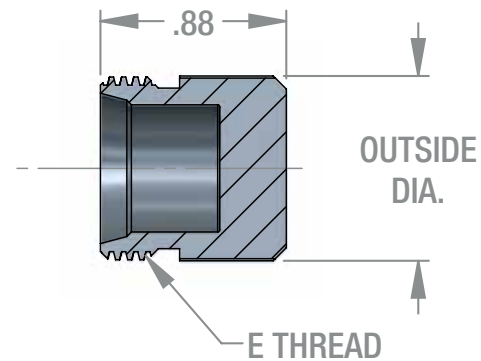
RECEPTACLE KITS | BULKHEAD SPLICE



No. of Contacts	120° Key Part No.	A NOM	B NOM	E Thread	O-ring
6#20	1280231-101	1.062	0.940	7/8-14UN-2A	M83461/2-910
10#20	1280232-101	1.250	0.940	1 1/16-12UN-2A	M83461/2-912
14#20, 1#16	1280233-101	1.375	0.940	1 3/16-12UN-2A	M83461/2-914
26#20	1280234-101	1.500	0.940	1 5/16-12UN-2A	M83461/2-916
32#20	1280235-101	1.710	0.890	1 1/2-12UN-2A	M83461/2-918
55#20	1280237-101	1.812	0.890	1 5/8-12UN-2A	M83461/2-920

(Dimensions in inches)

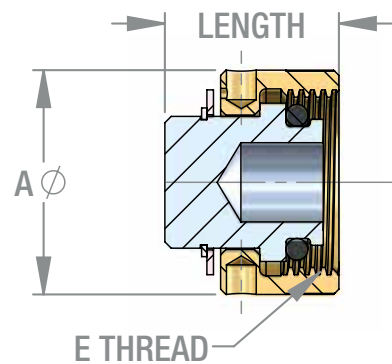
PRESSURE PROOF CAPS | STANDARD | FOR PLUGS



For Connector	DGO Part Number	Outside Diameter	E Thread
6#20	1283001-502	.88	7/8-14UN
10#20	1283002-502	1.06	1 1/16-12UN
14#20 & 1#16	1283003-502	1.19	1 3/16-12UN
26#20	1283004-502	1.31	1 5/16-12UN
32#20	1283005-502	1.50	1 1/2-12UN
55#20	1283007-502	1.63	1 5/8-12UN

(Dimensions in inches)

PRESSURE PROOF CAPS | STANDARD | FOR RECEPTACLES



For Connector	DGO Part Number	Length	A NOM	O-ring
6#20	1284031-101	.82	1.062	MS28775-112
10#20	1284032-101	.80	1.250	MS28775-115
1#16 & 14#20	1284033-101	.80	1.312	MS28775-117
26#20	1284034-101	.82	1.500	MS28775-119
32#20	1284035-101	.85	1.750	M83461/2-914
55#20	1284037-101	.85	1.875	MS28775-124

(Dimensions in inches)

IMPORTANT ORDERING NOTES

1. DGO can terminate plug kits and receptacle kits to cable(s) of your choice at very competitive prices. Please send us your requirements in order to provide an accurate price and lead time.
2. 120° keying is standard. Alternate keys are available. Please consult factory for details.
3. Alternate material options are available for plugs, receptacles, and over-molding.

TO ORDER:

TELEDYNE DGO

162 Corporate Drive, Suite 100
Portsmouth, NH 03801

Phone: +1 (603) 474-5571

Fax: +1 (603) 474-3161

Email: dgo@teledyne.com

Website: www.dgo.com

ROV cover image courtesy of NOAA Okeanos Explorer Program INDEX-SATAL
©Teledyne Oil & Gas 2014. Proprietary, all rights reserved. For reference only.



Global Subsea Presence



TELEDYNE DGO

www.dgo.com

DGO has a history of creating innovative technologies for harsh environments. Since 1962, we have been focused on applying advanced thinking to the creation of infallible connection systems that transmit signals, data, or power through challenging media, such as subsea oil wells and through pressure barriers such as the hull of a submarine.

Today, DGO continues to pave the way through the industry by applying new ideas and space age materials to create evermore reliable systems. All of our products are engineered, machined, fabricated, and tested in our fully-integrated ISO-9001 certified production facility located at the Pease International Tradeport in Portsmouth, New Hampshire.



TELEDYNE MARINE INTERCONNECT SOLUTIONS

www.teledynemis.com

Teledyne Marine Interconnect Solutions is a market-focused business group of Teledyne Oil & Gas, an alliance of Teledyne Technologies companies delivering high-reliability engineered solutions for monitoring, sensing, and interconnect applications. Teledyne Marine Interconnect Solutions addresses the current and future needs of the oceanographic, defense, and renewable energy markets through advanced technologies and world-

class support. A variety of interconnect solutions and value-added systems are provided that guarantee reliable operation in all ocean environments — “from the surface to the sea floor.” Teledyne Marine Interconnect Solutions product lines include: Teledyne DGO, Teledyne Impulse, Teledyne Impulse-PDM, Teledyne ODI, and Teledyne Storm Cable.



TELEDYNE OIL & GAS

www.teledyneoilandgas.com

Teledyne Oil and Gas (TOG) is an alliance of Teledyne Technologies companies that delivers high-reliability engineered interconnect solutions for power transmission, data transmission, and monitoring applications to operators in the oil and gas exploration and production industry.

TOG is focused on strengthening the value proposition by delivering high reliability engineered solutions for subsea/topside pipeline asset integrity monitoring, sensing, and power/data network interfacing and distribution applications, including:

- Flow assurance and pipeline asset integrity sensing and monitoring

- Electrical, optical penetrations, and distribution systems for power and data network interfacing
- Cable solutions for harsh environments
- Application-focused new product development with systems and materials expertise

Teledyne Oil & Gas is a global organization with worldwide manufacturing and support centers in North America, South America, Europe, and Asia, together with a highly experienced team of more than 30 cross-trained field service technicians, provide support to customers wherever it is required.