

Features

- J & J3U Chassis AC & DC Power Supplies
- Built-in Current Sharing for Reliable Redundancy
- LED Power Status Indicator
- Can be Used in N+1 Redundancy
- Monitored via GUI & SNMP
- Microcontroller Based
- Provides 12V to Chassis Backplane
- AC Power Supply Module
 - 85-264 VAC, 47-63 Hz
 - Standard IEC AC 3-pin Connector
 - Accessible 250V/5A Buss Fuse
- DC Power Supply Module
 - 38-72 VDC
 - Standard Terminal Block DC Connector
 - Internal 5A Fuse

J/J3U POWER SUPPLY MODULES

Description

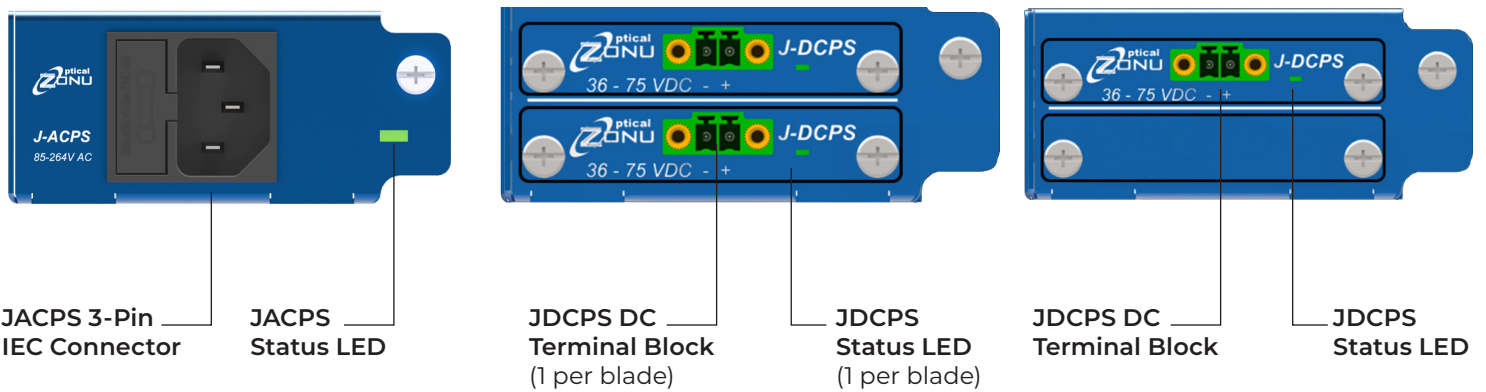
The JACPS and JDCPS power supplies are each compatible with both the Optical Zonu J3U chassis as well as the 1RU J-chassis. The JACPS AC power supply has a standard IEC 3-pin AC power input and can be ordered with power cords for use in most world mains plugs. An accessible front panel buss fuse protects the AC power supply from over voltage or over current. The JDCPS DC module houses up to two hot swappable 100W DC power blades. A 5A fuse protects the DC inputs. Front panel LEDs indicate the status of the power supplies. The power supplies can be used in combination in J3U and J-Chassis systems to add redundancy. Multiple JACPS modules in a chassis will current share. The two DC blades within a JDCPS will current share. The modules have a microcontroller-based back plane board that reports all parameters in real time to the chassis control system.

Power supply modules within the J3U and J-Chassis platforms may be monitored and controlled via SSH, Web UI, OZC GUI, and SNMP v2 and v3 ([see JS14 Managed Switch datasheet](#))

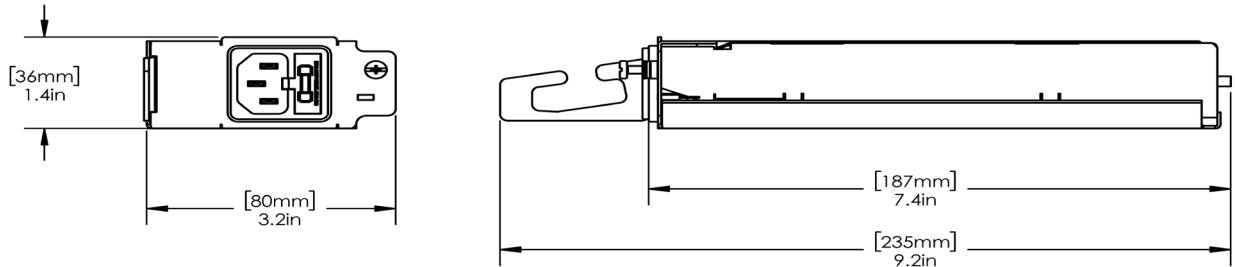
Absolute Maximum Ratings

Parameter	Symbol	AC		DC		Units
		Min	Max	Min	Max	
Operating Temperature	T_{op}	0	50	0	50	°C
Storage Temperature	$T_{storage}$	-40	85	-40	85	°C
Operating Voltage (AC)	VAC	85	264	-	-	V
Operating AC Frequency	-	47	63	-	-	Hz
Operating Voltage (DC)	VDC	-	-	38	72	V
Peak Inrush Current	$I_{in,peak}$	-	50	-	50	A
AC Module Output Power	P	70	100	-	-	W
DC Blade Output Power	P	-	-	70	100	W
DC Input Current	$I_{in,DC}$	-	-	-	3.3	A
Unpackaged Weight	-	-	410	-	410	g
Relative Humidity	RH	20	90	20	90	%
Altitude	-	-	10,000	-	10,000	ASL

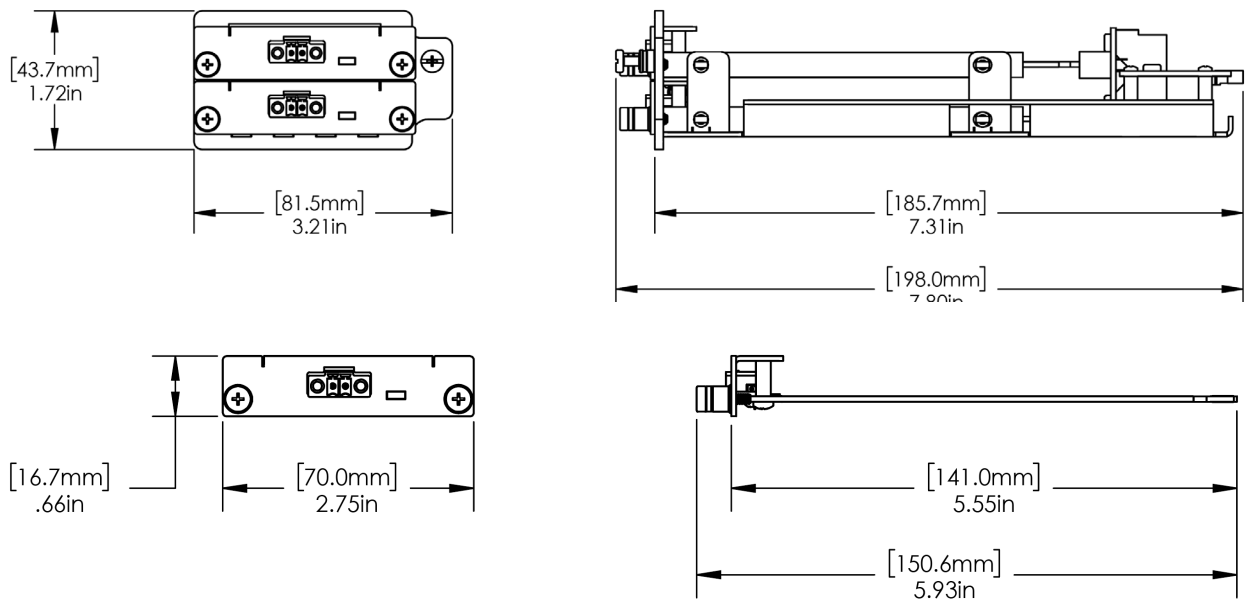
Front Panel Features



Mechanical Outline – JACPS



Mechanical Outline – JDCPS



LED Definitions

JACPS/JDCPS Condition	LED State
GREEN	OK, Sharing Current Load with a Redundant Power Supply
GREEN Blinking	OK, NOT Sharing Current Load with a Redundant Power Supply, Single Power Supply Operation
RED	Fault; No Input Power or Internal Failure

Ordering Information

PART NO. (UNIVERSAL 100W AC POWER SUPPLY MODULE)

AP3 – JACPS – 00

PART NO. (DC POWER SUPPLY MODULE)

AP3 – JDCPS – XX

00 – Dual DC Blades
100W each

1S – Single DC Blade
100W

PART NO. (DC POWER SUPPLY BLADE, 100W)

AP3 – BJDCPS – 00

Contacts

HEADQUARTERS

7510 Hazeltine Avenue, Van Nuys, CA 91405
Main: 818-780-9701 Fax: 818-780-9739 info@opticalzonu.com

INSIDE SALES

818-780-9701 x122 ;
818-616-2043
sales@opticalzonu.com

CUSTOMER SUPPORT

818-780-9701 x276 ;
818-452-5131
support@opticalzonu.com

SALES - RF

818-780-9701 x122 ;
818-579-9630
sales@opticalzonu.com

SALES - RF EAST

818-780-9701 x140 ;
818-579-9594
sales@opticalzonu.com

SALES - SATCOM

818-780-9701 x242 ;
818-452-5896
sales@opticalzonu.com

SALES - DIGITAL

818-780-9701 x131 ;
818-579-9592
sales@opticalzonu.com

TECHNICAL SUPPORT

818-780-9701 x134 ;
818-579-2359
support@opticalzonu.com



Related Products

[J3U Platform Overview](#)

[J3U Chassis](#), Modular 19" 3RU, 16-Slot (front) + 5-Slot (back), Fan Cooled, AC and/or DC Power Supplies, Remote Access via HTTP, GUI, SNMP v2 and v3

[J-Chassis Platform Overview](#)

[J-Chassis](#), Modular 19" 1RU, 5-Slot or 10-Slot, Fan Cooled, AC and/or DC Power Supplies, Remote Access via HTTP, GUI, SNMP v2 and v3

[JS14 Managed Switch Plug-in Module](#), 5-Port Layer 2 Ethernet, SFP Optical Port with mOTDR, Hosts Web UI, GUI, SNMP v2 and v3 Agents

Additional Resources

[Standalone RF Over Fiber Modules](#)

[RF Over Fiber Rack Mount Integrated Subsystems](#)

[RF Over Fiber Rack Mount Modular Subsystems](#)

[RF Over Fiber Applications](#)

