



Features

- Medical Grade High Efficiency Universal Hot Swappable Power Supply
- 30 MHz to 6 GHz Bandwidth
- Up to 9 pairs of OZ510 TRx
- Up to 18 individual OZ510 Tx or Rx
- Up to 32 pairs of OZ101 TRx
- Up to 64 individual OZ101 Tx or Rx
- Front Fiber Management Bar
- Optional Dual Fan per side
- Any module to any slot pluggable
- Front & Rear Panel Alarm LED Indicator
- -0°C to +60°C Operating Case Temperature
- Complex Alarm functions via Micro USB port.
- MTTF exceeds 10 years at +50°C

Options

- Extended Bandwidth of 10 KHz to 7 GHz
- CWDM Lasers
- Multimode fiber compatibility

Applications

- Wi-Max/4G LTE
- Cellular Backhaul
- Remote Antenna Location
- Satcom
- In-Building Solutions
- GPS Distribution
- Timing Delay

J Chassis

Description

The J-Series is a modular EIA 310-D Standard 19 inch 1U rack-mounted unit with up to 10 slots which can hold up to 64 RFoF interchangeable and hot swappable modules. It can also accommodate multiples of other high performance, broadband, fiber optic transceivers, transmitters and receivers. The J-Chassis provides flexibility, scalability, and functionality to help construct multi-task, RFoF and Digital sub-systems.

- **1U Chassis:** 10 Slots - 16 inches deep
- 5 Slots - 8 inches deep
- Single Slot Enclosure

Power Redundancy

All the J-Chassis power supplies (medical equipment grade) are hot-swappable and modular. Installing two (2) into a chassis provides redundancy and extends reliability since active current sharing reduces the load on each power supply. A fully loaded chassis can run continuously with only one power module fitted into the chassis.

Cooling Fan

To further increase system reliability, a fully populated chassis is designed to operate in an uncooled environment. Two optional fans may be installed per each set of five modules. The double-deep 14-Slot version has four (4) fans and the single-deep 5-slot version has two (2) fans. The fans are designed to maintain a customer-set maximum temperature.

Dual power supplies are recommended for 10-Slot version for redundancy.

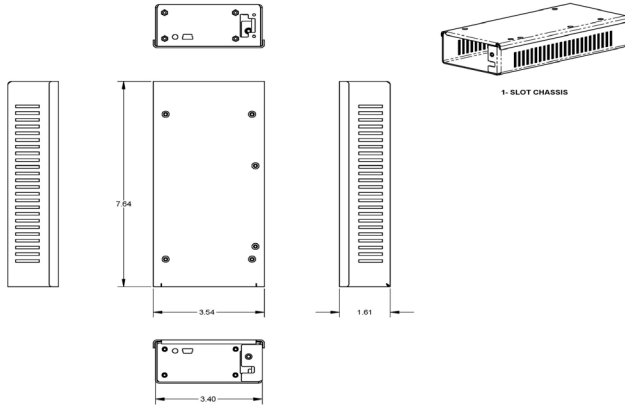
Absolute Maximum Ratings

Parameter	Symbol	Min	Typical	Max	Units	Notes
AC Power Supply Voltage		85		264	VAC	1
AC Power Supply Power			100		W	2
DC Power Supply Line		36	48	75	VDC	1
DC Power Supply Power			100		W	2
Chassis dimensions Long			19 x 15 x 1.75		Inches	
Chassis dimensions Short			19 x 12 x 1.75		Inches	
Power Supply Certifications			EN 60950 ITE and EN 60601-1 Medical			
Power Supply EMC Compliance			EN 61000-4-2, 3, 4, 5, 6 & 11 and EN 60601-1-2			
Power Supply Emissions			Class B Per EN 55022, 11			
Storage Temperature (Case)	T _S	-40		+85	°C	
Operating Temperature (Case)	T _O	0		+60	°C	
Maximum Number of TX per Chassis			18			3
Maximum Number of RX per Chassis			18			3
MTTF @ 50°C			10		Years	

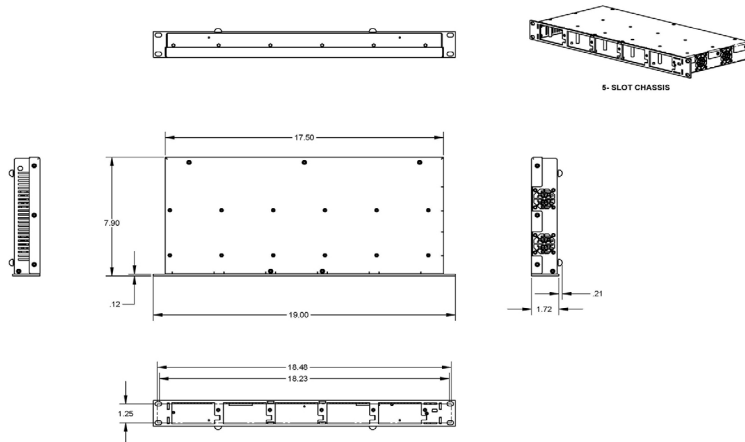
1. Individually replaceable. For +24 V or higher input DC voltage requirements contact Factory
2. Configuration dependent
3. Up to 5 Links can be integrated into one chassis. Link consists of 1 Transmitter and 1 Receiver.

Mechanical Drawing & Internal Layout

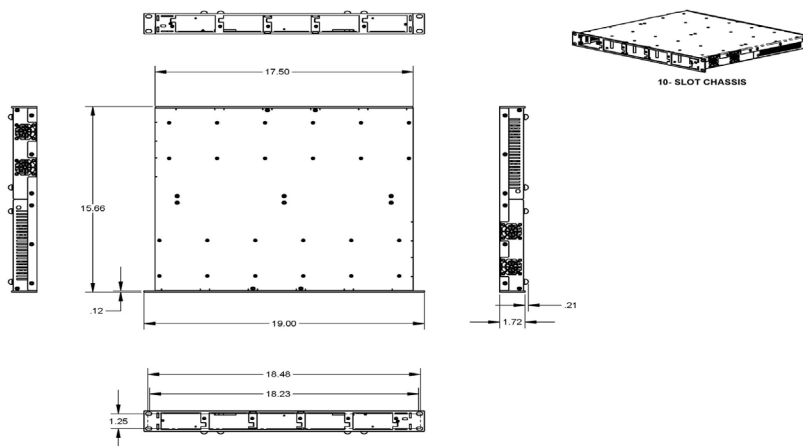
Single Slot



Five Slot



Ten Slot



Ordering Information

PART NO. Single Slot

AJ3 - J010 - XX

12 - 12V

28 - 28V



PART NO. Chassis

AJ3 - JXXX - XXX - XX

05R - 5 Slot

(blank) - AC

(blank) - No Power Supply, No Fan

10R - 10 Slot

48 - 48V

F - No PS, 1 Fan

1P - 1 PS, No Fan

1PF - 1 PS, 1 Fan

2PF - 2 PS, 2 Fan

2P - 2 PS, No Fan

Contacts

HEADQUARTERS

7510 Hazeltine Avenue, Van Nuys, CA 91405
Main: 818-780-9701 Fax: 818-780-9739 info@opticalzonu.com

INSIDE SALES

818-780-9701 x122 ;
818-616-2043
sales@opticalzonu.com

CUSTOMER SUPPORT

818-780-9701 x276 ;
818-452-5131
support@opticalzonu.com

SALES - RF

818-780-9701 x122 ;
818-579-9630
sales@opticalzonu.com

SALES - RF EAST

818-780-9701 x140 ;
818-579-9594
sales@opticalzonu.com

SALES - SATCOM

818-780-9701 x242 ;
818-452-5896
sales@opticalzonu.com

SALES - DIGITAL

818-780-9701 x131 ;
818-579-9592
sales@opticalzonu.com

TECHNICAL SUPPORT

818-780-9701 x134 ;
818-579-2359
support@opticalzonu.com

MADE IN



U. S. A.

