

Critical TAP System 10/100/1000/10GbE

Network Critical TAPs provide security managers with a safe and secure way to deploy network IDS sensors into full-duplex links. The Critical TAP System is a flexible range of durable and highly reliable network TAPs dedicated to leveraging nIDS sensor deployment across the whole LAN.

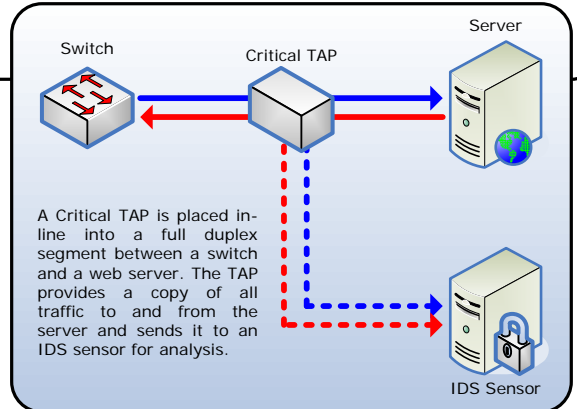
The 10/100/1000/10GbE TAPs are fully passive, layer-one only devices designed for in-line installation into core network segments. Inside the TAPs both light-paths are split into two halves using high-grade closed fusion splice fibres, one half is passed back to the live network and the other is passed to the monitor port. Only the highest quality components are used throughout the construction of the TAPs to absolutely minimise insertion losses. The TAPs do not require power and do not constitute a point of failure.

The TAPs are available as a single unit for 1 segment, which can be rack mounted, or as multiple units for up to 4 segments, with separate TAPs within the same rack mount chassis.



Single Fibre TAPs in rack mounting plate & Multiple Fibre TAP for 4 segments

- Requires no power – no point of failure
- 100% passive – no latency on live network
- RX & TX on separate monitor ports - 100% traffic passed to IDS
- 50/125 or 62.5/125 fibres available
- Solid construction quality – built to last
- Uses only Corning Grade A Fibres
- Full range of split ratios available from 50:50 to 90:10
- For high utilisation LAN segments
- Multimode or Singlemode
- Wavelength independent – SX & LX capability in all TAPs
- Used and approved by major IDS solution vendors



Critical TAPs for 10/100/1000/10GbE networks are available as a single unit for 1 segment, which can be rack mounted, or as multiple units for up to 4 segments, with separate TAPs within the same rack mount chassis.

Part Number	Description
NCT3FO-XX-YYYY	Single 10/100/1000/10GbE Fibre TAP XX (Fibre core size – 50 µm or 62.5 µm) YY (Live Ports %age split – 50, 60, 70, 80, 90) ZZ (Monitor Ports %age split – 50, 40, 30, 20, 10)
NCT3FO-XX-YYYY-4 NCT3PLATE	Multiple 10/100/1000/10GbE Fibre TAP for 4 segments 1U 19" Rack mounting plate for up to 3 Single TAPs

Dealer Stamp



Network Critical Solutions Ltd.
Phone: +44 (0) 1189 543210
Fax: +44 (0) 1189 545795
Web: <http://www.criticaltap.com/>