

## Dimensions

The XPort dimensions are shown in the following drawings.

Figure 2-4. Front View

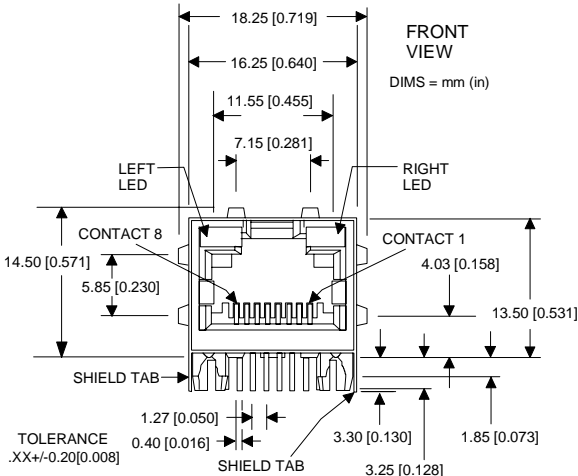


Figure 2-5. Bottom View

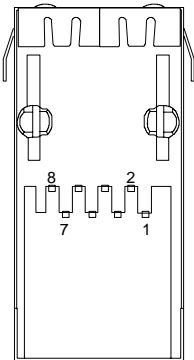


Figure 2-6. Side View

