

PROPRIETARY NOTICE: This document contains proprietary information of AAT Inc. neither the document nor said proprietary information shall be published, reproduced, copied, disclosed or used for any purpose other than consideration of this document without the express written permission of a duly authorized representative of said Company.

REVISIONS			
SYM	DESCRIPTION	DATE	APPROVED
2	ENGINEERING RELEASE	03/21/08	

SPECIFICATION:

FREQUENCY: 1575 ±10 MHz
 POLARIZATION: RIGHT HAND CIRCULAR
 AXIAL RATIO: 1.5 dB MAX
 RADIATION COVERAGE: 4.0 dBic 0° = 0°
 -3.0 dBic 0° < θ < 75°
 -7.5 dBic 75° ≤ θ < 80°
 -8.0 dBic 80° ≤ θ < 85°
 -9.0 dBic 85° ≤ θ = 90°

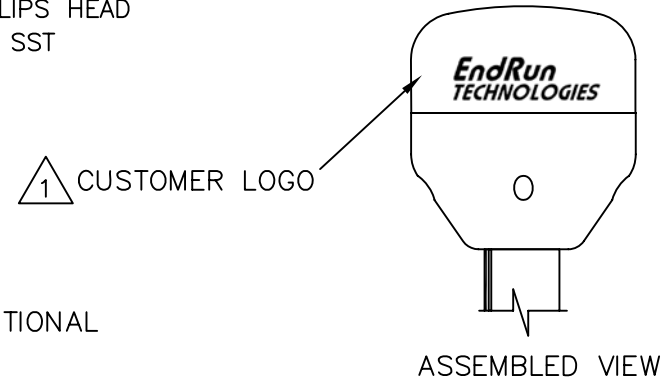
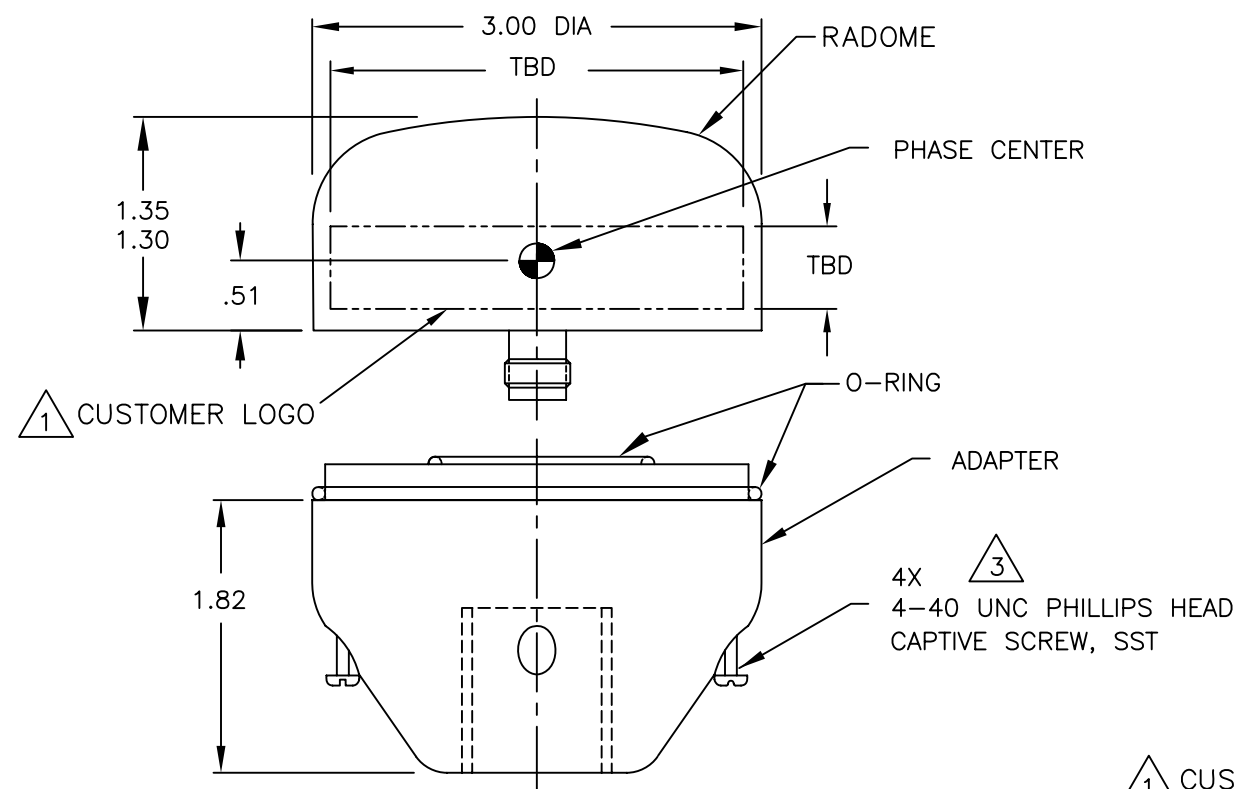
AMPLIFIER:
 NOISE FIGURE: 2.5 dB MAX
 IMPEDANCE: 50 OHMS
 VSWR: ≤2.0 : 1
 BAND REJECTION: 30 dB @ 1535 MHz (f_o -40 MHz)
 60 dB @ 1615 MHz (f_o +40 MHz)
 POWER HANDLING: 1 WATT (INCLUDING IN-BAND)
 FINISH: WEATHERABLE POLYMER
 WEIGHT: 8 OZ MAX
 ALTITUDE: 20,000'
 OPERATING TEMP: -40°C TO +85°C

PRELIMINARY

NOTES: UNLESS OTHERWISE SPECIFIED.

- 1 LOGO OPTIONAL.
- 2 LABEL SIZE, SHAPE AND CONTENTS SUBJECT TO CHANGE WITHOUT NOTICE.
- 3 ASSEMBLE ANTENNA TO ADAPTER USING CAPTIVE SCREWS, SUGGESTED TORQUE: 5.0-6.0 IN LB, DO NOT OVER TORQUE.
- 4. TOLERANCES: .XX ± .03
.XXX ± .010

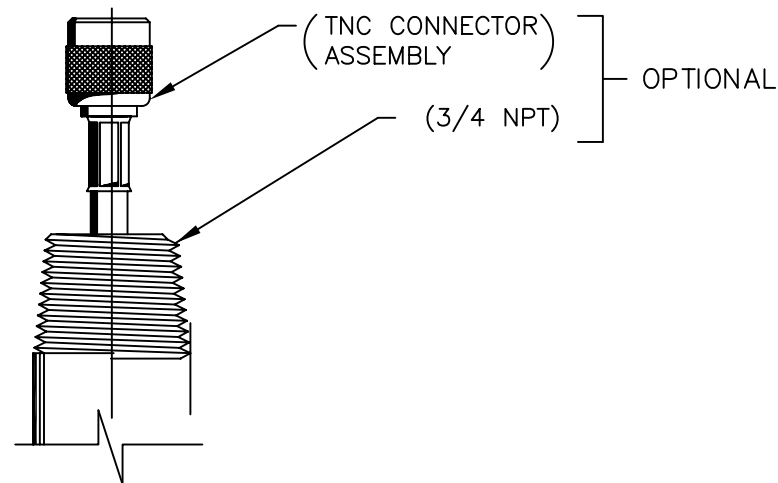
REFERENCE INSTALLATION DRAWING: AT5756855.



PART NO. DESIGNATION:

AT575-142X-XXXX-XXX-XX-XX-XX
 COLOR _____
 W = WHITE
 S = SMOKE GRAY
 O = OLIVE DRAB
 CONNECTOR _____
 TNCF = TNC FEMALE
 CABLE LENGTH _____
 * 000 = IN INCHES
 MAGNET
 NM = NO MAGNET
 GAIN (±3 dB)
 40 = 40 dB (30 mA +/-10)
 VOLTAGE
 RG = 2.5-5 VDC

* = OPTION NOT AVAILABLE WITH THIS MODEL
 STANDARD MODEL = AT575-242W-TNCF-000-RG-40-NM



DO NOT SCALE THIS DRAWING ALL DIMENSIONS ARE IN INCHES DIMENSIONING & TOLERANCING PER ANSI Y14.5M-1982 TOLERANCES: .XX = ±.01 .XXX = ±.005 FRACT = ±1/32 ANG. = ±1/2° ✓ SURFACE ROUGHNESS PER ANSI B46.1 REMOVE BURRS AND BREAK SHARP EDGES: PART TO BE CLEAN AND OIL FREE	DRAWN N. ISTRATE 01/18/08				
	CHECKED				
	ENGR	TITLE <p style="text-align: center; font-size: 18pt; font-weight: bold;">GPS ANTENNA</p>			
	Q.A.				
APPROVED	SIZE B	CAGE CODE OUVG2	DRAWING NO. AT575-242	REV 2	
USED ON	UNLESS OTHERWISE SPECIFIED	DRAWN IN ACAD	SCALE NONE	AT575-242_2	SHEET 1 OF 1

AT575-242